



**浙江永阳科技有限公司**

ZHEJIANG YONGYANG TECHNOLOGY CO., LTD.

地址: 浙江省乐清经济开发区纬六路 190 号

Add : NO.190, Weiliu Road, Yueqing Economic Development Zone, Zhejiang Province

电话 (Tel) : +86-577-61662206 (外贸)

0577-61733366 (内销)

传真 (Fax) : +86-577-61733361

Http: www.yoyatech.com

E-mail: sa@yony.cc yoyatech@163.com

Alibaba: yoyatech.en.alibaba.com



ALIBABA



扫描浏览电子样本

**“表”里如一的品质!**

*HIGH QUALITY FROM INSIDE TO OUTSIDE! V21*



**浙江永阳科技有限公司**

ZHEJIANG YONGYANG TECHNOLOGY CO., LTD.

“表”里如一的品质!

HIGH QUALITY FROM INSIDE TO OUTSIDE!



人才理念 Talent Concept

为每一位员工提供广阔的发展空间，使员工的凝聚力和向心力得以极大的提升。在生产和管理中，以员工为中心，广泛开展各种文化活动，定期组织员工进行专业技能培训，使员工的整个职业生涯在科学的规划中不断成长。

Provide each employee with a broad development space, so that the cohesion and centripetal force of employees can be greatly improved. In production and management, employees are centered, a wide range of cultural activities are carried out, and employees are regularly organized to conduct professional skills training, so that the entire career of employees will continue to grow in scientific planning.

创新理念 Innovative ideas

创新是永阳科技成长的不竭动力。在发展过程中，我们始终坚持“观念创新、科技创新、管理创新”的原则，以高新技术抢占市场，以优质服务取信用户，实现企业和客户的价值最大化

Innovation is the inexhaustible driving force for the growth of Yongyang Technology. In the development process, we always adhere to the principle of "concept innovation, technological innovation, and management innovation", seize the market with high-tech, win the trust of users with high-quality services, and maximize the value of enterprises and customers

服务理念 Service philosophy

服务是企业综合素质的集中体现。永阳科技承诺“100% 诚心、100% 品质、100% 服务”，把顾客的需求和意见看做工作目标，使“为顾客服务”成为每个员工的自觉行为和潜在意识。

Service is a concentrated expression of the overall quality of an enterprise. Yongyang Technology promises "100% sincerity, 100% quality, and 100% service" and regards the needs and opinions of customers as work goals, and makes "serving customers" the conscious behavior and potential consciousness of every employee.



## 公司简介 COMPANY PROFILE

浙江永阳科技有限公司，位于“中国电器之都”——浙江·乐清经济开发区。本公司前期是承接各类电子产品 OEM、ODM 设计加工的厂家，为各大、中型企业提供生产服务和 technical 支持。经过多年经验积累，公司成功转型为一家集研发、设计、制造、服务于一体的电能计量产品的国家高新技术企业。公司拥有现代化的生产设备和检测设备，在快速发展的过程中，公司不断加大管理投入，注重人才的引进和培养，努力提高员工的素质，制定了先进的生产流程和工艺标准，推行精益化生产，保证了产品的优质可靠。

公司主要生产：单、三相电子式电能表；单、三相 485 通讯电能表；单、三相 NB-IoT/4G 无线远程电能表；单、三相预付费电能表；三相多功能电能表、数显表、电表箱、互感器、机械式热量表、超声波式热量表、超声波水表、智能水表。

公司在迅速发展的过程中严格遵循 ISO9001:2008 质量管理体系运作，建立优良的售后服务体系，我们始终坚持以优良的品质，卓越的服务立足于市场。产品在国内受青睐的同时，远销东南亚，中东，非洲等地，赢得了广大客户的认可与赞誉。公司将竭诚为客户提供更优质产品和服务，与您共创辉煌。

Zhejiang Yongyang Technology Co., Ltd. is located in the "China Electric Capital"—Zhejiang · Yueqing Economic Development Zone. In the early stage, the company is a manufacturer that undertakes OEM and ODM design and processing of various electronic products, and provides production services and technical support for large and medium-sized enterprises. After years of experience accumulation, the company has successfully transformed into a national high-tech enterprise integrating R&D, design, manufacturing and service of electric energy measurement products. The company has modern production equipment and testing equipment. In the process of rapid development, the company continues to increase management investment, pays attention to the introduction and training of talents, strives to improve the quality of employees, formulates advanced production processes and process standards, and promotes lean Production guarantees the high quality and reliability of the products.

The company mainly produces: single and three-phase electronic electric energy meters; single and three-phase 485 communication electric energy meters; single and three-phase NB-IoT/4G wireless remote electric energy meters; single and three-phase prepaid electric energy meters; three-phase multi-function electric energy meters Meters, digital meters, meter boxes, transformers, mechanical heat meters, ultrasonic heat meters, ultrasonic water meters, smart water meters.

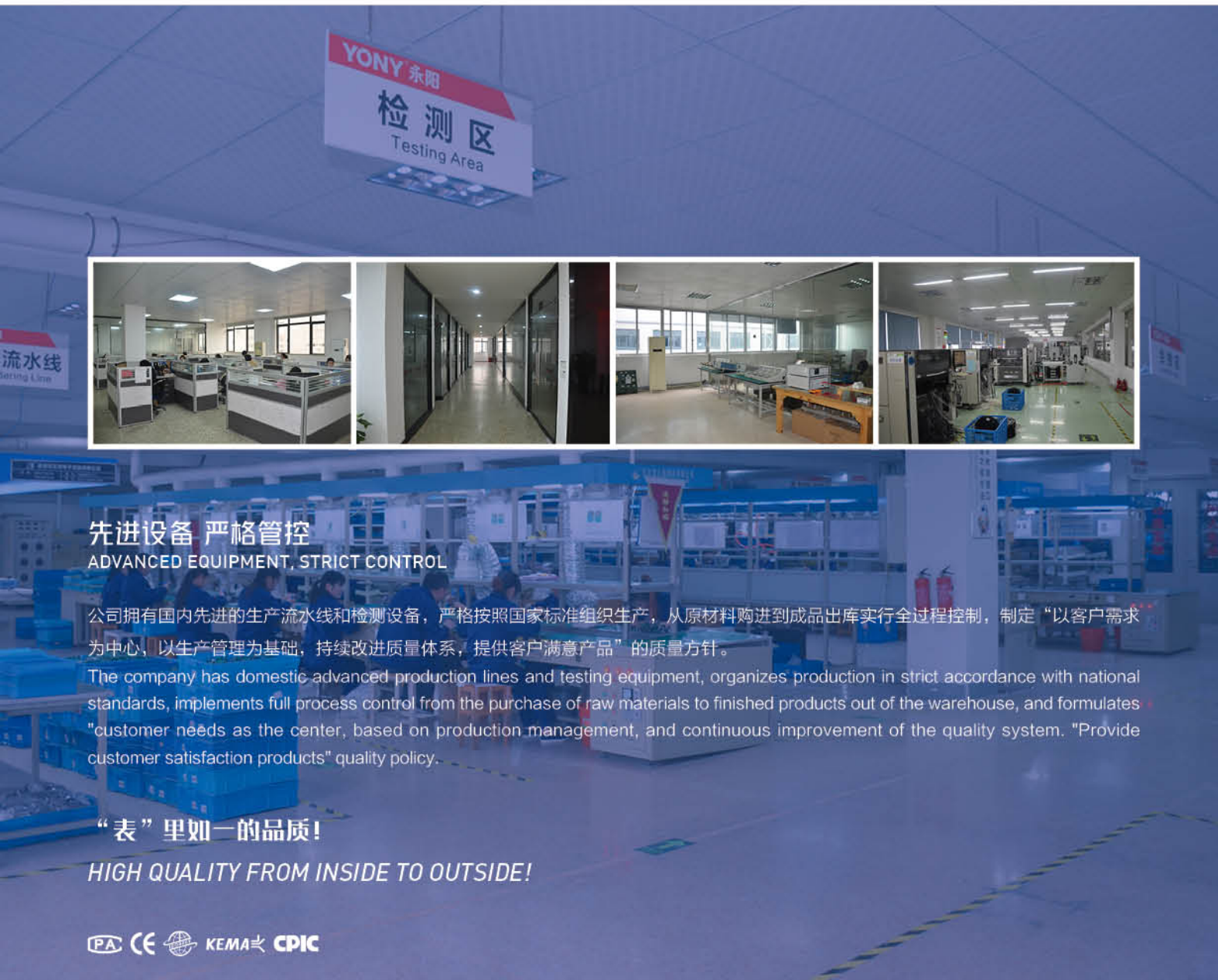
In the process of rapid development, the company strictly abides by the ISO9001:2008 quality management system operation and establishes an excellent after-sales service system. We always adhere to the excellent quality and excellent service based on the market. While the products are favored in the country, they are exported to Southeast Asia, the Middle East, Africa and other places, winning the recognition and praise of our customers. The company will wholeheartedly provide customers with better products and services, and create brilliance with you.

“表”里如一的品质！  
HIGH QUALITY FROM INSIDE TO OUTSIDE!

PA CE KEMA CPIC



YONY® 永阳



**先进设备 严格管控**  
ADVANCED EQUIPMENT, STRICT CONTROL

公司拥有国内先进的生产流水线和检测设备，严格按照国家标准组织生产，从原材料购进到成品出库实行全过程控制，制定“以客户需求为中心，以生产管理为基础，持续改进质量体系，提供客户满意产品”的质量方针。

The company has domestic advanced production lines and testing equipment, organizes production in strict accordance with national standards, implements full process control from the purchase of raw materials to finished products out of the warehouse, and formulates "customer needs as the center, based on production management, and continuous improvement of the quality system. "Provide customer satisfaction products" quality policy.

**“表”里如一的品质!**  
HIGH QUALITY FROM INSIDE TO OUTSIDE!



**YONY 永阳**

**重复检验环节 品质更有保障**  
REPEAT INSPECTIONS, QUALITY IS MORE SECURE

公司内部成立了质量检验队伍，建立了“质量巡视制度”以及每年一度的“质量月、质量季、质量年活动”等制度。公司产品符合国家有关标准和用户提出的图纸及技术协议要求，每一位员工都负有质检责任，每一道生产工序都经过系统的质量检查，为关注公司出厂的每个产品。

The company has established a quality inspection team, established a "quality inspection system" and an annual "quality month, quality season, quality year activities" and other systems. The company's products comply with the relevant national standards and the requirements of the drawings and technical agreements proposed by the users. Every employee is responsible for quality inspection. Every production process has undergone a systematic quality inspection to pay attention to every product the company leaves.



**企业资质  
QUALIFICATION**

“表”里如一的品质!  
HIGH QUALITY FROM INSIDE TO OUTSIDE!



“表”里如一的品质!

HIGH QUALITY FROM INSIDE TO OUTSIDE!



YONY® 永阳

目录 CONTENTS

<p>01</p>  <p>智能仪表管理平台</p> <p>远程水电表管理系统简介 Brief introduction of remote water and electricity meter management system</p>	<p>02</p>  <p>远程水电表管理系统构建 Construction of remote water and electricity meter management system</p>	<p>03</p>  <p>单相远程费控智能电能表 (载波) DDZY3666-Z Single-phase Remote Rate-control Smart Watt-hour Energy Meter (carrier)</p>	<p>04</p>  <p>单相远程费控智能电能表 (载波) DDZY3666-Z Single-phase Remote Rate-control Smart Watt-hour Energy Meter (carrier)</p>	<p>17</p>  <p>三相电子式多费率电能表 DTSF3666, DSSF3666 Three-phase multi-rate watt-hour meter</p>	<p>18</p>  <p>三相电子式多费率电能表 DTSF3666, DSSF3666 Three-phase multi-rate watt-hour meter</p>	<p>19</p>  <p>三相电子式预付费电能表 DTSY3666, DSSY3666 Three-phase Prepaid Watt-hour Meter</p>	<p>20</p>  <p>三相电子式预付费电能表 DTSY3666, DSSY3666 Three-phase Prepaid Watt-hour Meter</p>
<p>05</p>  <p>单相电子式预付费电能表 DDSY3666 Single-phase prepayment watt-hour meter</p>	<p>06</p>  <p>单相电子式预付费电能表 DDSY3666 Single-phase prepayment watt-hour meter</p>	<p>07</p>  <p>DDS3666 型单相电子式电能表 DDS3666 Single-phase Watt-hour Meter</p>	<p>08</p>  <p>DDS3666 型单相电子式电能表 DDS3666 Single-phase Watt-hour Meter</p>	<p>21</p>  <p>三相电子式电能表 DTS3666, DSS3666 Three-phase Watt-hour Meter</p>	<p>22</p>  <p>三相电子式电能表 DTS3666, DSS3666 Three-phase Watt-hour Meter</p>	<p>23</p>  <p>三相电子式电能表 (导轨式) DTSU3666, DSSU3666 Three-phase Watt-hour Meter(Rail)</p>	<p>24</p>  <p>三相电子式电能表 (导轨式) DTSU3666, DSSU3666 Three-phase Watt-hour Meter(Rail)</p>
<p>09</p>  <p>单相 STS 键盘电能表 DDSY3666 Single Phase STS Keypad Energy Meter</p>	<p>10</p>  <p>DDS3666 单相电能表 DDS3666 Single-phase Watt-hour Meter</p>	<p>11</p>  <p>DDS3666 单相电能表 DDS3666 Single-phase Watt-hour Meter</p>	<p>12</p>  <p>DDS3666 单相电能表 DDS3666 Single-phase Watt-hour Meter</p>	<p>25</p>  <p>三相电子式预付费电能表 DTSY3666, DSSY3666 Three-phase Prepaid Watt-hour Meter</p>	<p>26</p>  <p>三相电子式预付费电能表 DTSY3666, DSSY3666 Three-phase Prepaid Watt-hour Meter</p>	<p>27</p>  <p>单相电子式电能表 (导轨式) DDSU3666 Single-phase Watt-hour Meter(Rail)</p>	<p>28</p>  <p>单相电子式电能表 (导轨式) DDSU3666 Single-phase Watt-hour Meter(Rail)</p>
<p>13</p>  <p>三相电子式多功能电能表 DTSD3666, DSSD3666 Three phase multi-function Energy Meter</p>	<p>14</p>  <p>三相电子式多功能电能表 DTSD3666, DSSD3666 Three phase multi-function Energy Meter</p>	<p>15</p>  <p>三相电子式简易多功能电能表 DTSD3666, DSSD3666 Three-phase Simple Multi-function Watt-hour Meter</p>	<p>16</p>  <p>三相电子式简易多功能电能表 DTSD3666, DSSD3666 Three-phase Simple Multi-function Watt-hour Meter</p>	<p>29</p>  <p>单相电子式预付费电能表 DDSY3666 Single-phase prepayment watt-hour meter</p>	<p>30</p>  <p>单相电子式预付费电能表 DDSY3666 Single-phase prepayment watt-hour meter</p>	<p>31</p>  <p>单相电子式电能表 (导轨式) DDSU3666 Single-phase Watt-hour Meter(Rail)</p>	<p>32</p>  <p>单相电子式电能表 (导轨式) DDSU3666 Single-phase Watt-hour Meter(Rail)</p>

● 物联网智能水电表综合管理平台简介

随着智能手机的普及和移动互联网的快速发展，为人们的生活带来了不少便利。生活方式更多的从线下转到了线上，现在足不出户在家就可以购物、缴费、工作以及娱乐。越来越多的物业企业也开始利用线上线下相结合的方式管理小区或商业出租，以便给业主带来更好周到的服务，提高体验感。同时还可以精简人员和大量减少管理中费用开支，能够有效地增强物业企业的市场竞争力，物联网智能远程管理系统就是其中关键的部份。



智能仪表管理平台

物联网智能水电表远程管理系统是用于物业小区、大型商场、大型购物中心、公寓、写字楼、工业园区、宿舍、工厂等场所收取水电费、电能计量统计分析的智能化管理系统。它以全自动的远程抄表方式取代了传统的人工抄表方式，解决了人工抄表效率低、出错高、收费难等问题。系统是建立在网络普及应用、物联网技术成熟的环境基础上，运用先进的云台系统架构，使系统具备远程调试、远程维护以及与外部第三方软件的数据交互功能。

系统具有多种收费方式：系统远程充值、微信充值（智能仪表管理平台）、自助充值终端等。

智能仪表管理平台是基于移动互联网技术开发的一款集水、电、气、热、物业费缴费的智能管理 APP。业主可以自主随时随地缴纳水电费、气热费、物业费，并可以查询仪表剩余金额、累计使用量、所有的缴费记录和状态，余额不足时用户会收到短信通知。智能电表 APP 彻底解放了物业管理的人工抄表人工收费模式，提高了物业经济效益和业主的体验。

物联网智能水电表远程管理系统应用于小区、商铺、写字楼的水电管理，不仅能够帮助管理部门高效简单的管理，更能减少人力物力的投入与运维费用，给物业企业带来更多利益，增强企业的竞争力，而且能为业主的生活带来更好的品质与服务体验，促进物业与业主的良性发展。

● 使用本系统的具体优势

1. 水电表同系列统一管理

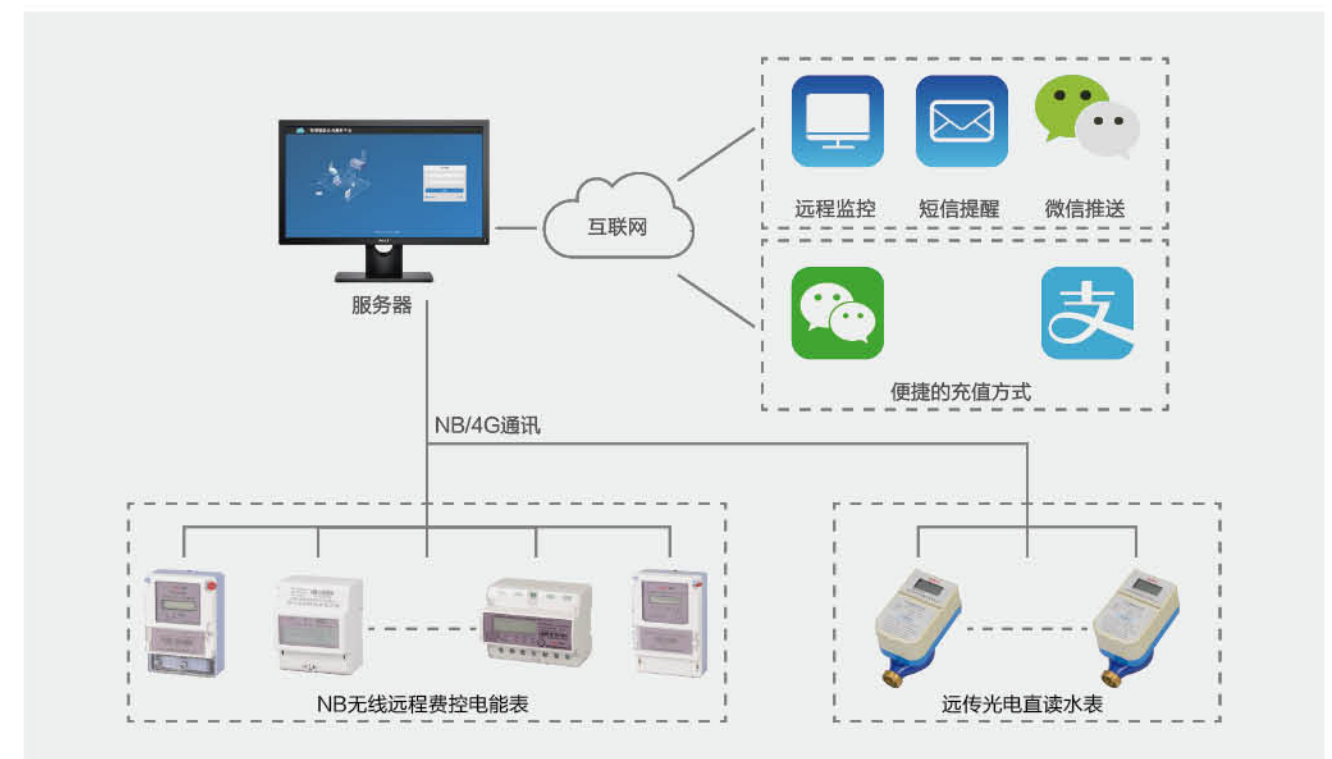
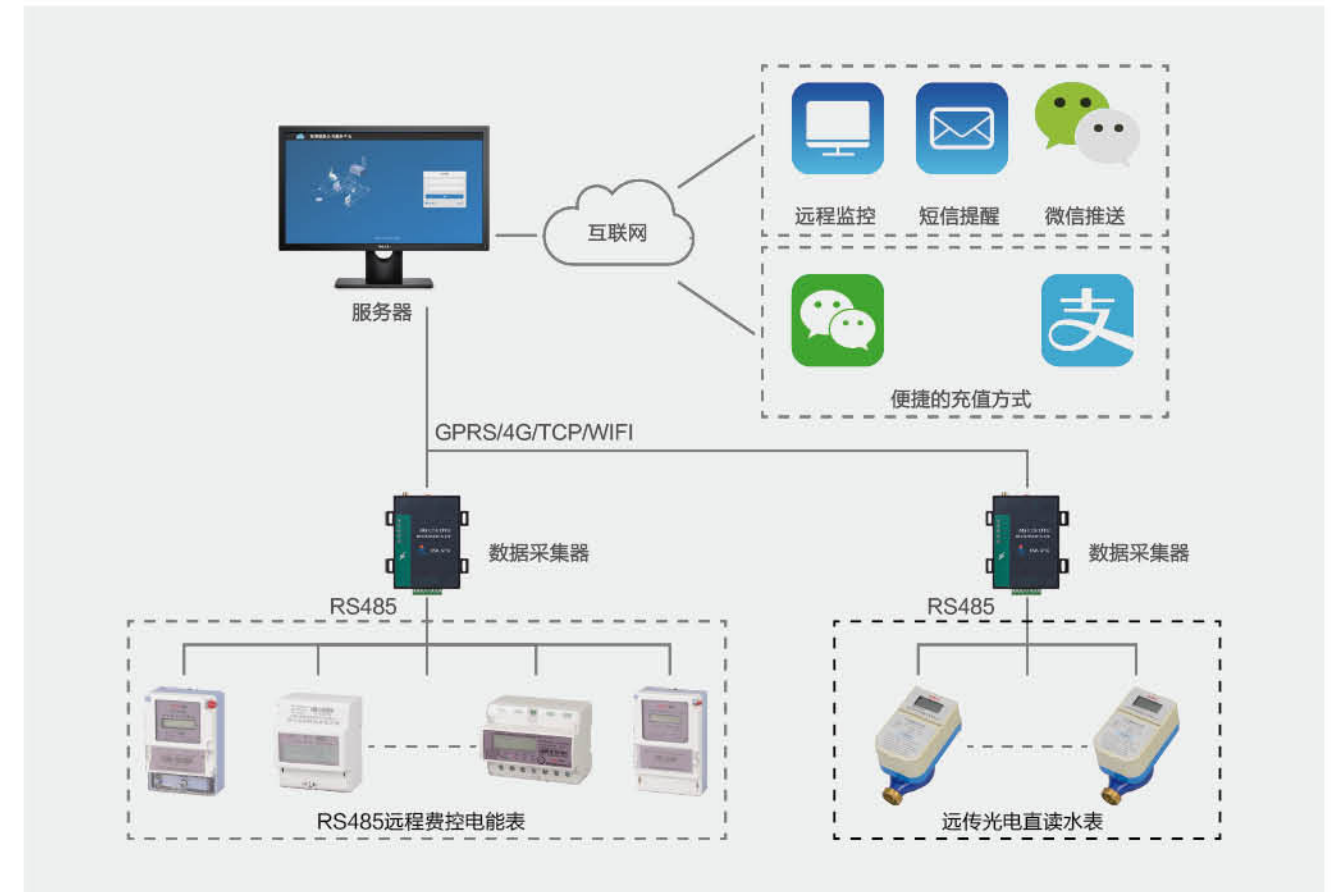
远程管理系统可以通过多种通讯方式实现水电远程集中抄表快速精准，物业对商铺住宅水电统一管理，使用系统对水电等能源数据远程采集和对其远程控制。用户的水电账单、缴费记录、用量数据等物业都可以直接通过电脑、微信小程序查询，物业对于小区水电的管理也更加简单高效。用户也可以对水电的使用情况和缴费历史记录直观地了解清楚。

2. 抄表远程自动化

可根据水电表具体的安装应用环境可选用 RS485、lor a 无线、4G 无线、NB-IoT 无线等多种通讯联网方式，实现远程自动抄表，定时抄表，简单、快速、准确，有效避免了人工抄表不到位、估抄、漏抄、错抄、偷电等情况发生。可统计整个小区厂商业楼或单个用户的每日、每月、每年水电用量，也可以选择时间段统计，并可选择时间段统计充值财务以及报表下载。

3. 收费自动化

远程抄表管理系统除了支持人工现金收费并在系统后台远程充值之外，用户可在手机上使用微信小程序（智能仪表管理平台）充值和查看余额，如果用户的水电表内余额不多的时候，系统会自动以微信消息推送或短信的方式提醒用户及时充值缴费避免欠费停电。





● 概述

DDZY3666 型单相远程费控智能电能表 (载波) 采用先进微电子技术和 SMT 工艺设计制造, 符合 Q/GDW364-2009《单相智能电能表技术规范》, 具有精度高、功能强、稳定性好等特点, 并具有预远程付费功能, 是改革传统用电体制, 提高用电管理水平的理想电能表。

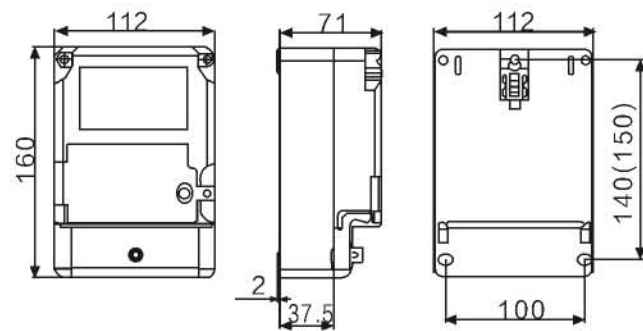
● 功能名称

电量	组合有功、正向有功、反向有功
	定时冻结、瞬时冻结电量
	约定冻结电量
预付费	日冻结、整点冻结电量
	存储上十二月电量
	嵌入式 ESAM 模块
事件记录	预报警、拉合闸等功能
	校时记录
	编程、清零记录
	开表盖记录
通讯及脉冲	拉合闸记录
	停来电、掉电记录
	RS485 通讯、红外通讯、载波通讯
	LED 脉冲、电脉冲输出
	时钟信号输出

● 技术指标

参比电压	220V
电流规格	1.5(6)A, 1.5(9)A, 5(20)A, 5(30)A, 5(40)A, 10(40)A, 10(50)A, 10(60)A, 15(60)A, 20(80)A
参比频率	50Hz
精度等级	2.0 级
起动电流	0.004Ib 0.002Ib (互感式)
环境条件	正常工作: -30℃ ~+60℃ 极限工作: -40℃ ~+70℃ 存储与运输温度: -40℃ ~+70℃
最大相对湿度	年平均: 75% 月平均: 95%
正常工作电压范围	0.7Un~1.2Un
极限工作电压	电能表电压线路施加 1.9Un 电压 4h, 无损坏, 试验后电能表能正常工作
最大通过电流	1.2Imax 运行 1h, 电能表不损坏
时钟精度	在参比温度 (23℃) 下, 时钟准确度 ≤ ±0.5s/d
功耗	无通信时, 电压线路有功功率 ≤ 1.5W, 视在功率 ≤ 10VA, 在通信状态下不超过 3W、12VA
锂电池	绿色环保锂电池, 电池容量 ≥ 1.2Ah。断电后可维持电能表的表内程序和时钟连续运行 5 年以上, 使用寿命 >10 年
抗静电能力	>15kV
设计使用寿命	≥ 10 年
重量	0.5kg
备注	不同的表型参数与上述如有差异则以具体表型为准

● 外形安装及尺寸



● PRODUCT BRIEF INTRODUCTION

The DDZY3666 type Single-phase Remote Rate-control Smart Watt-hour Energy Meter (wave carrier) is made in advanced microelectronic technology and SMT process, whose performance index is in conformity with the technical requirements in Q/GDW364-2009 Technical Specification for Single-phase Smart watt-hour energy meter. It's a meter with high accuracy, remote prepayment function, good stability and it's an ideal product which has reformed the power system and improve the management level of power consumption.

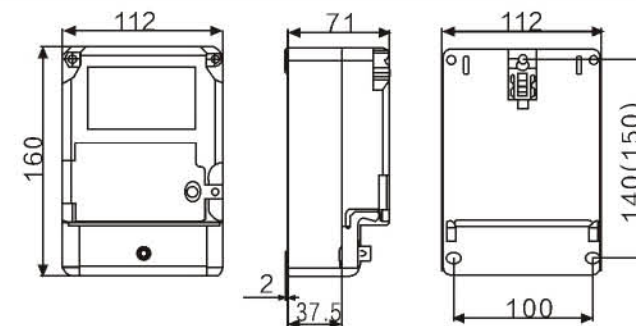
● FUNCTION FEATURES

Energy	combined active, forward active, reverse active
	Timing frozen energy, instantaneous frozen energy
	Appointed frozen energy
Prepayment	Daily frozen energy, hourly frozen energy
	Store the data in last 12 months' power consumption.
	Embedded ESAM module, CPU card
Event recording	pre-alarm and switch on/off functions
	Time calibration record
	Program and reset record
	Cover opening record
Communication and pulse	Switch on/off record
	Power on/off record, power fail record
	RS485 communication, infrared communication, carrier communication
	LED pulse, electric pulse output
	Clock signal output

● MAIN TECHNICAL DATA

Reference voltage	220V
Current specifications	1.5(6)A, 1.5(9)A, 5(20)A, 5(30)A, 5(40)A, 10(40)A, 10(50)A, 10(60)A, 15(60)A, 20(80)A
Reference frequency	50Hz
Accuracy class	Class 2.0
Starting current	0.004 Ib 0.002Ib(CT)
Ambient conditions	Rated working temperature: -25℃ ~+60℃ Working temperature limit: -40℃ ~+70℃ Storage and transportation temperature: -40℃ ~+70℃
Maximum relative humidity	Annually average: 75% monthly average: 95%
Normal working voltage range	0.7Un~1.2Un
Operating voltage limit	Forcing 1.9Un voltage to the meter voltage circuit for 4 hours, the meter is not damaged and can work normally after the test. Running one hour under 1.2Imax, the meter is not damaged.
Maximum current	
Clock accuracy	At reference temperature(23℃), the accuracy of the clock is ≤ ±0.5s/d
Power Loss	When not in the communication state, voltage circuit active power rate ≤ 1.5W, apparent power rate ≤ 10VA; less than 3W and 12VA in the communication state.
Lithium battery	Environmentally Friendly lithium battery, the capacity of which is ≥ 1.2Ah, keeping the programs in the meter and the clock running for more than 5 years after power-off and the service life is more than 10 years.
Antistatic ability	>15kV
Design service life	≥ 10 years
Weight	0.5kg
Remark	If the parameters of different types are different from the specifications above then take the specific type as priority.

● OUTER AND MOUNT DIMENSION





● 概述

DDSY3666 型单相电子式预付费电能表是我公司在性能优良的电子式单相电能表的基础上，研制开发的具有电能计量、负荷控制和用户信息管理等多种功能的新型 IC 卡式预付费电能表，该表是当前改革用电体制、实现电能商品化、解决收费难及调节电网负荷状态的理想产品。该产品的各项性能指标符合 GB/T17215.321-2008《1 级和 2 级静止式交流有功电度表》和 GB/T18460-2001 标准中对电子式单相预付费电能表的全部技术要求。

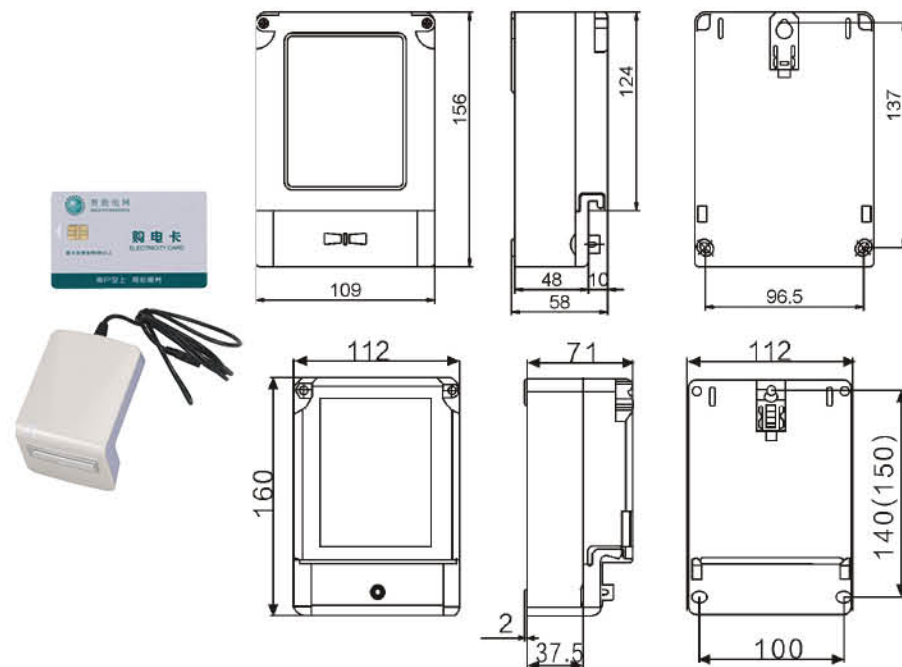
● 功能及特点

- 有功电能计量，长期工作不须调校；
- 一表（户）一卡，具有良好的防伪性；
- 剩余电量等于报警电量时，报警灯常亮，提醒用户及时购电；
- 剩余电量为 0 时跳闸断电；
- 防窃电，自动记录非法用电信息；
- 超负荷自动断电，便于电力部门实施增容；
- 大容量磁保持继电器，低功耗、高可靠；
- 具有数据回写功能，便于电力部门管理；
- 电表内所有元件均选用长寿命、高可靠的电子元器件，因而具有寿命长、可靠性高的特点；
- 配套的 IC 卡售电管理系统具有完备的售电管理和用电监察等功能。
- 可扩展 RS485/NB/4G。

● 技术指标

额定电流 (A)	5(20),5(30),10(40),10(60),15(60)
额定电压 (V)	220 或 240
额定频率 (Hz)	50 或 60
准确度等级	1 级或 2 级

● 外形安装及尺寸



● PRODUCT BRIEF INTRODUCTION

The DDSY3666 type single-phase electronic pre-paid watt-hour meter is developed on the base of excellent single-phase electronic watt-hour meter. It is a new type of IC card pre-paid meter, which has such functions as power metering, load control and customer information management. It is an ideal product when reforming electric-use system, achieving electrical energy to commercialize, setting charge and adjusting load stage in the electric network. All the indexes comply with the technological specifications designed for the single-phase electronic pre-paid watt-hour meter in the standard of GB/T 17215.321-2008 Class 1 and 2 Static AC Active Watt-hour Meter and GB / T 18460-2001.

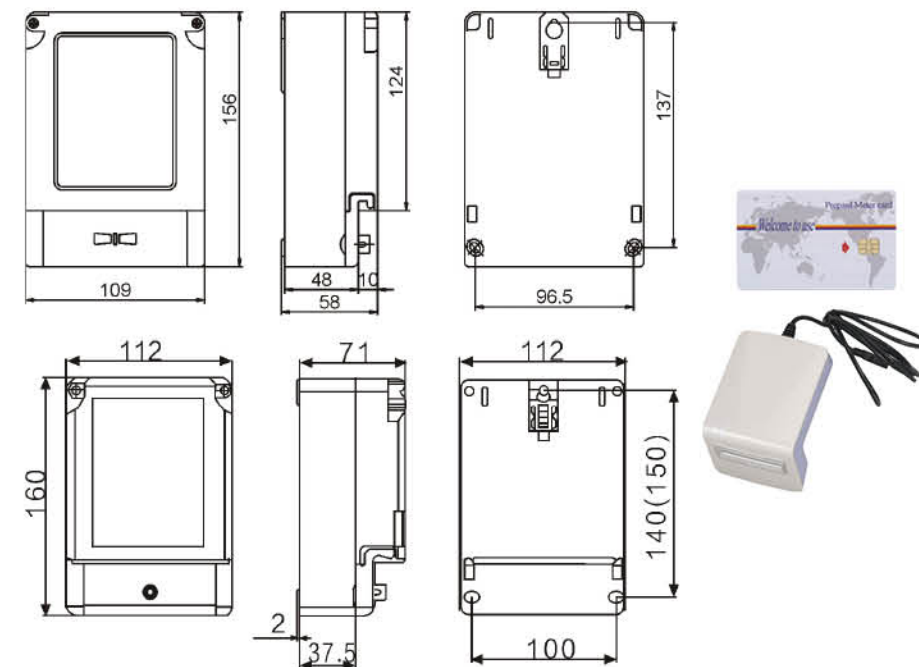
● FUNCTION FEATURES

- Active single-phase electric power metering, no subject to adjust in terms of long working; one card for only one user, well protected from forgery;
- Once the remaining electric power quality is approaching the alarming power quality, the digital tube should be lighted to remind user of timely purchasing;
- Once the electric consumption available is out, it should be auto cut-off;
- Protect from power theft, and record the information auto;
- Auto cut-off for overload;
- Date-copying function makes the electricity department easier to manage;
- The meter has the feature of long-using-life, high-reliability;
- The IC card power selling control system has sound functions of power selling and power using supervision;
- Expansible RS485/NB/4G.

● MAIN TECHNICAL DATA

Rated Current (A)	5(20),5(30),10(40),10(60),15(60)
Rated Voltage (V)	220 or 240
Rated Frequency (Hz)	50 or 60
Accuracy Class	Class 1 or Class 2

● OUTER AND MOUNT DIMENSION





● 概述

DDS3666 型系列单相电子式电能表采用先进的超低功耗固态集成电路技术和 SMT 先进工艺，用于计量频率为 50Hz 的交流单相有功电能。本产品各项性能指标符合 GB/T17215.321-2008《1 级和 2 级静止式交流有功电能表》对单相静止式电能表技术指标。

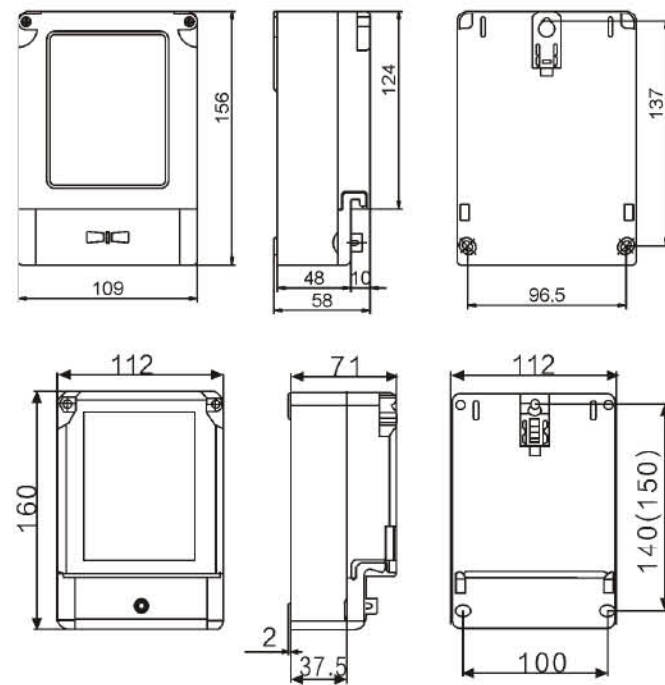
● 功能及特点

- 有功电能计量，长期工作不须调校；
- 采用 ADE7755 专用计量芯片；
- 采用内含数字乘法器的国外最新电能专用集成电路，大大提高了仪表的动态工作范围，使实际过载能力达 10 倍以上；
- 在 5%I<sub>b</sub>~I<sub>max</sub> 范围内有良好的误差线性；
- 外围元件少、功耗低、电表结构简单；
- 电表内所有元件均选用长寿命、高可靠的电子电器件，因而具有寿命长、可靠性高的特点。
- 显示方式：计数器、液晶、数码管；
- 具有远程断电功能；
- 输出接口 RS485。

● 技术指标

类别	DDS
等级	Class 1, Class 2
额定电压 (V)	220V, 230V
额定电流 (A)	1.5(6)A, 5(20)A, 10(40)A, 15(60)A, 20(80)A, 30(100)A
额定频率 (Hz)	50 或 60

● 外形安装及尺寸



● PRODUCT BRIEF INTRODUCTION

Single Phase Two Wire Kwh Energy Meter adopts advanced ultra-low power consumptive solid-state integrated circuit technology and SMT technology. It is used to measure alternating current single phase active energy with frequency of 50Hz. The performance index conforms to the technological requirements for the single phase static energy meter according to IEC62053-21:2003 "Part 21 of Special Requirements for AC Measuring Equipments: Static Active Energy Meter (Class1 and Class2)" and "IEC 62052-11-2003".

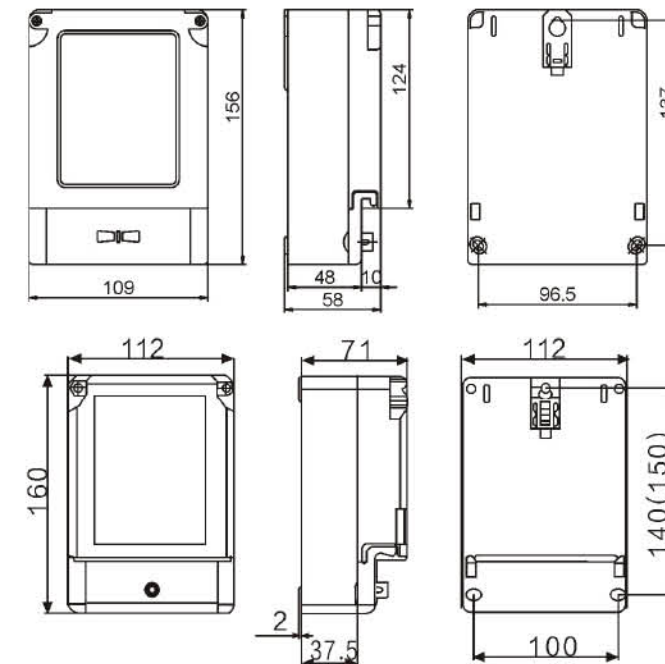
● FUNCTION FEATURES

- Measure active electric energy, no adjustment needed for long-term operation ;
- Adopt the special chip of measurement ADE7755 ;
- Adopt the latest imported electric energy special integration circuit , greatly improved dynamic working range of Meter ; to make the ability of actual overload up to over 10 times.
- Have good mistake linearity in the range of 5% I<sub>b</sub>~I<sub>max</sub> ;
- Few periphery components , simple structure , low power consumption ;
- Adopt high reliability and long life electronic components , so the meter assumes feature of high reliability and long life.

● MAIN TECHNICAL DATA

Type	DDS
Class Index	Class 1, Class 2
Reference Voltage Un	220V, 230V
Rated Current ( A )	1.5(6)A, 5(20)A, 10(40)A, 15(60)A, 20(80)A, 30(100)A
Rated Frequency ( Hz )	50 or 60

● OUTER AND MOUNT DIMENSION





● PRODUCT BRIEF INTRODUCTION

○ The Single Phase STS Key-pad energy meter adopts the most advanced solid-state and integrated circuit technology featured in super low power loss and advanced SMT technology for measuring AC single-phase active power. The product complies with IEC 62053-21 "Part 21, The Special Requirements for Energy Measuring Equipment: Level 1 and Level 2 of Static AC Energy Meter" and other standards. Communication protocol adopts IEC 62056-21 standard. The 20-bit code in STS algorithm is in accordance with the related standards stipulated in IEC 62055 standard transmission specifications (STS).

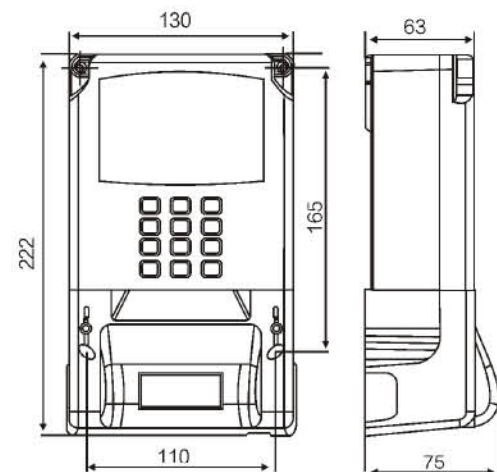
● FUNCTION FEATURES

- Record the total currently consumed active positive energy, but the reversal energy is also to be added positively into total energy. No need of recalibration for long term.
- The key pad consists of the numbers from 0 to 9 plus Enter and Exit keys . A 30 ms warning tone will sound when a key is pressed.
- Buzzer alarm, low-credit alarm.
- Hoarding proof. Over-load protection
- Prepaid function. The user will get a bunch of 20-bit charging token from the power utility after they have purchased power from there. They need put the token into the meter by key pad.
- Expandable infra red and RS 485 communication.
- Clear and reliable LCD display.
- Adopts photoelectric-isolation energy pulse to output signals, which can be used to detect errors.
- The emitting diode indicates the energy consuming status.

● MAIN TECHNICAL DATA

Rated Current(A)	1.5(6),2.5 (10),5(20),10(40),10(60),15(60),20(80),30(100)
Rated Voltage(V)	220 or 230 or 240
Rated Frequency(Hz)	50 or 60
Accuracy Class	Class 1 or 2

● OUTER AND MOUNT DIMENSION



● PRODUCT BRIEF INTRODUCTION

○ The DDS3666 type single-phase electronic watt-hour meter adopts specialized LSI , the device typifying new periphery component , simple structure , high reliability , low power consumption , long life etc , is suitable for the single-phase AC active electric energy with rated frequency of 50Hz. The performance is in conformity with the technical requirements for Single-phase Electronic Watt-hour Meter stipulated in GB/T 17215.321-2008 Class 1 and 2 Static AC active Watt-hour Meter standard.

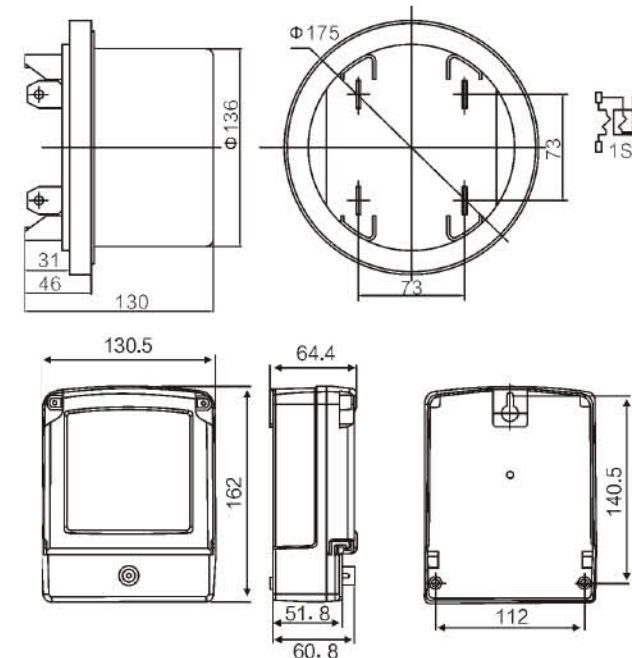
● FUNCTION FEATURES

- Measure active electric energy , no adjustment needed for long -term operation ;
- Adopt dedication meter age chip ADE7755 ;
- Adopt lasted electricity dedication integrated circuit including digital multiplier overseas , greatly improved dynamic working range of meter , making 10 multiple actual overload ;
- Have good mistake linearity in the range of 5% I<sub>b</sub>- I<sub>max</sub> ;
- Few periphery component , simple structure , low power consumption ;
- Adopt high reliability and long life electronic component , so the meter assume features of high reliability and long life.
- Way of display : register 、 LCD 、 digital tube.
- Remote interruption of power supply function.
- Output interface RS485 .

● MAIN TECHNICAL DATA

Rated Current(A)	1.5(6),2.5 (10),5(20),5(30),10(40),10(60),15(60),20(80),30(100)
Rated Voltage(V)	220 or 240
Rated Frequency(Hz)	50 or 60
Accuracy Class	Class 1 or 2

● OUTER AND MOUNT DIMENSION





● **PRODUCT BRIEF INTRODUCTION**

DDS Single-phase Electronic Watt-hour Meter adopts advanced solid integrated circuit technology that can realize ultra-low power dissipation and advanced SMT technique to meter single-phase AC(alternating current) active energy with the frequency of 50Hz or 60Hz. Its various performance indexes conform to the technical indexes that GB/T17215.321-2008 《Static AC Active Energy Watt-hour Meters of Class 1 and Class 2》 requires from the single-phase static watt-hour meters.  
The meter has the features of accurate, stable and reliable metering, good anti - electromagnetic interference, low power consumption, high accuracy, anti-electricity-theft, wide range, long life and so on .

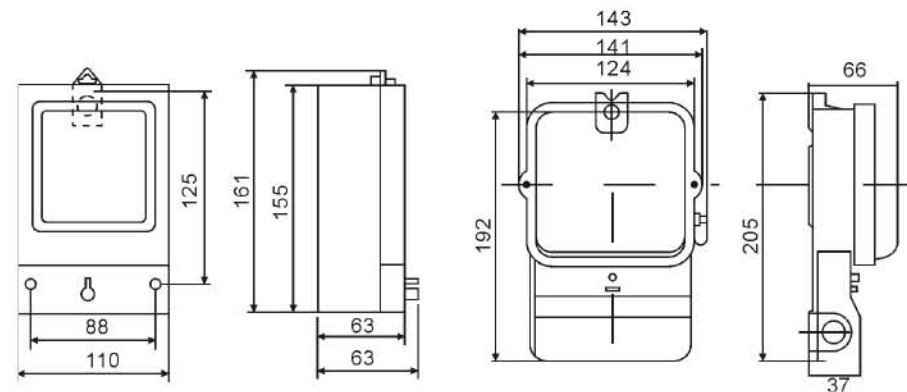
● **FUNCTION FEATURES**

- Electric energy metering function  
Electric energy metering function: the metering of the total active electric energy ,the quantity of electricity in reverse way can be accumulated in normal way.
- Output interface  
The interface has optical coupling isolator and the active and passive pulse.
- Reverse function  
When the electric energy is in reverse way, the light will be on to get attention.
- Battery Back-up  
When the external power source has no electricity, the meter will still show the last electric energy data with the battery back-up.

● **MAIN TECHNICAL DATA**

Type	DDS
Class	Class 1
Reference Voltage Un	120V-240V
Rated Current ( A )	1.5(6)A,5(20)A,10(40)A,15(60)A,20(80)A, 30(100)A

● **OUTER AND MOUNT DIMENSION**



● **PRODUCT BRIEF INTRODUCTION**

Single Phase Two Wire Kwh Energy Meter adopts advanced ultra-low power consumptive solid-state integrated circuit technology and SMT technology. It is used to measure alternating current single phase active energy with frequency of 50Hz.The performance index confirms to the technological requirements for the single phase static energy meter according to IEC62053-21:2003 “Part 21 of Special Requirements for AC Measuring Equipments: Static Active Energy Meter (Class1 and Class2)” and “IEC 62052-11-2003 ” .

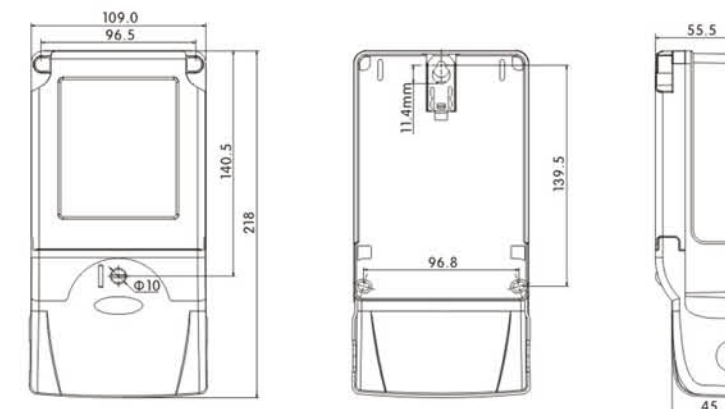
● **FUNCTION FEATURES**

- The meter features in steady accuracy as any frequency, temperature, voltage and upper harmonic is non-influential to it. It is much more reliable than mechanical meters. There is no need of calibration after the meter is delivered out of the factory, which save the work for the power institutions.
- It has bi-directional measuring function, which is able to measure positive and negative active energy accurately and the negative energy is added to positive energy.
- The energy data can be stored eternally even without back-up battery.
- With passive pulse output interface by optical coupler isolation.
- The meter features in wide load, excellent accuracy, high reliability, strong sensibility ,flat error line, low power consumption, small size, light weight,energy saving and material saving.The main parameter values are easily read with LCD display.
- Reverse Tamper Light alarms, when the energy reverses.
- When there is no external power source, the meter will display Consumed Energy and Maximum Demand with battery back-up.

● **MAIN TECHNICAL DATA**

Type	DDS
Class Index	Class 1,Class 2
Reference Voltage Un	220V,230V
Rated Current ( A )	1.5(6)A,5(20)A,10(40)A,15(60)A,20(80)A, 30(100)A
Rated Frequency ( Hz )	50 or 60

● **OUTER AND MOUNT DIMENSION**





● 概述

DTSD3666、DSSD3666 型三相电子式多功能电能表是根据国家有关技术标准、规程和广大用户的实际要求，采用先进技术设计的新型多功能智能电能表，具有精度高、稳定性好、布局合理、工艺先进、实用性强、功能强大、操作方便等特点，可准确、快捷地对各类电参数进行测量计算。该表性能指标符合 GB/T 17215.321-2008《1 级和 2 级静止式交流有功电能表》、GB/T 17215.322-2008《0.2s 级和 0.5s 级静止式交流有功电能表》、GB/T 17215.323-2008《2 级和 3 级静止式交流无功电能表》和 DL/T 614-1997《多功能电能表》国家标准对多功能电能表的各项技术要求，其通信符合 DL/T 645-1997《多功能表通讯规约》的要求。

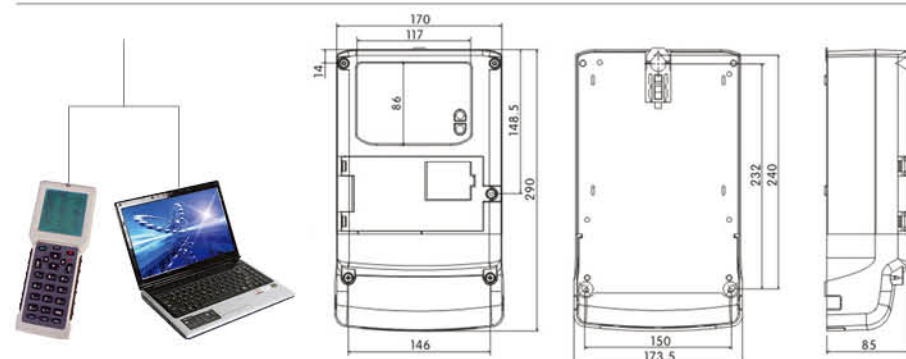
● 功能及特点

- 分时计量正向有功和反向有功、正向无功和反向无功，四象无功电量及最大需量，最大需量发生时间；
- 分相电量计量；
- 4 种费率、4 个时区、6 套时段、10 个日时段、12 个公共假日；
- 失压、失流记录功能；
- 3 个抄表周期数据，可自动冻结数据；12 个月抄表数据；
- 正向有功、反向有功远动脉冲输出，四象限无功远动脉冲输出，脉冲宽度可用遥控器或 RS485 设置；
- 红外遥控器调出显示项；
- RS485 有线通讯与红外无线通讯，符合 DL/T 645-1997 标准；
- 停电时可设定按键触发显示或循环显示，显示项目和时间可用遥控器或软件设置，最多可设定 25 项显示；
- 事件记录（如总清、需清）；
- 停电红外抄表；
- 负荷记录；
- 为适应集抄，具有瞬间冻结与定时冻结电量功能，对所冻结电量的全部数据可一次抄出；
- 超负载报警；
- 可设置互感器倍率；
- 通过 LCD 显示电表的运行状态，各种参数设置情况和各种计量数据；
- 可实时测量 A、B、C 三相的电压、电流、功率等有效值及当前频率；
- 具有失压、失流、超功、停电、来电、编程、需量清零、广播校时等事件记录功能；
- 具有编程禁止功能、需量复位功能；
- 具有停电按键唤醒功能；
- 两组电池，一节用于保持数据的 3.6V 电池，另二节用于抄表的 6V 电池，且更换方便。

● 技术指标

额定电流 (A)	3 × 1.5 (6), 3 × 5 (20), 3 × 10 (40), 3 × 15 (60), 3 × 20 (80), 3 × 30 (100)
额定电压 (V)	三相三线 3 × 100V 或 3 × 380V 三相四线 3 × 220/380V 或 3 × 57.7/100V
额定频率 (Hz)	50 或 60
准确度等级	有功 0.5、无功 1.0 或有功 1.0、无功 2.0
时钟误差	≤ 0.5 秒/每天 (参比温度下)； ≤ 1.0 秒/每天 (后备锂电池工作时)
电池	进口环保锂电池，电压：3.0 或 3.6V，容量 ≥ 1000mAh； 1200bps~19200bps (可设置)；内部、外部双看门狗； 每 0.01 度测算更新数据；双电池保持时钟及相关数据； 设置电池的报警值；失压断流计时及电量费率切换时间 最小间隔 1 分钟

● 外形安装及尺寸



● PRODUCT BRIEF INTRODUCTION

The DTSD3666、DSSD3666 type three-phase electronic multi-function watt-hour meter is a new type of multi-function meter; it accords with the correlative standard, rules of the nation It has the function as high-accuracy, well stability, advanced technology and easy operation. The performance index of the meter accords with the technical requirements of nation standard, such as GB/T 17215.321-2008 Class 1 and 2 Static AC Active watt-hour Meter, GB/T-17215.322-2008 Class 0.2S and 0.5S Static AC Reactive watt-hour Meter, GB/T-17215.323-2008 Class 2 and 3 Static AC Reactive watt-hour Meter and DL/T614-1997 Multi-function Watt-hour Meter, the communication agreement accords with DL/T645-1997.

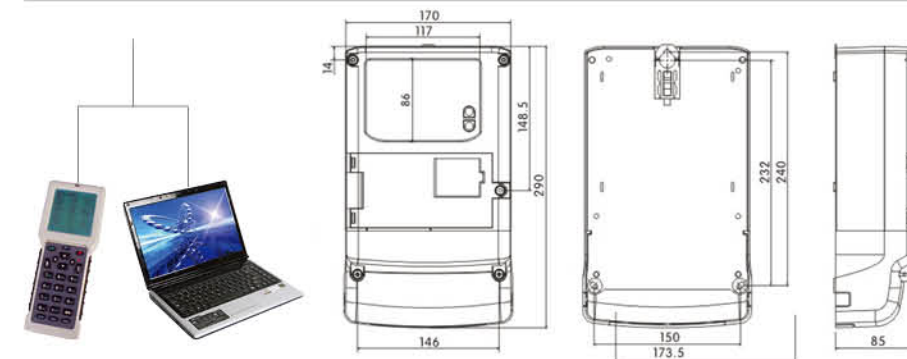
● FUNCTION FEATURES

- Measure forward direction, reverse direction and 4 quadrants reactive power and max demand, the time of max demand occurs
- Split phase power measuring;
- 4 rates, 4 time zones, 6 sets of time periods, 10 time periods per day, 12 public holidays;
- Record undervoltage, undercurrent;
- Data of 3 period cycles can be congeal auto and record data of 12 months;
- The active forward & reverse direction and the reactive 4 quadrants output via pulse.
- The pulse width can be setup by controller or RS485;
- The infrared controller will display the item;
- The line are communication and the infrared wireless communication accords with DL/T-645-1997;
- It can be mounted the meter key stroke-display or circular-display when power is off. Maximum 25 items can be set up to be displayed.
- Recording events (like data clearances of accumulative power and demand power)
- Meter reading function at power off;
- Recording the load;
- It is easier for electric department centralized management;
- Overload alarming function;
- Transformer magnification can be setup;
- All the data and information can be displayed via LCD;
- Measuring the voltage, current, power of the three phases (Phase A, Phase B and Phase C) any time;
- It has the recording feature of undervoltage, undercurrent, overpower, power off/on, deleting the database, programming, adjusting the time and so on;
- It has the functions of program prohibition and demand replacement;
- Power break awakening function;
- Two sets of battery, one (3.6V) is used for keeping data, and the other set of two batteries (6V) is used for copying, They are easier to change.

● MAIN TECHNICAL DATA

Rated Current (A)	3 × 1.5 (6), 3 × 5 (20), 3 × 10 (40), 3 × 15 (60), 3 × 20 (80), 3 × 30 (100)
Rated Voltage (V)	Three-phase Three-wire 3 × 100V or 3 × 380V Three-phase Four-wire 3 × 220V/380V or 3 × 57.7/100V
Rated Frequency (Hz)	50 or 60
Accuracy Class	Active : 0.5、Reactive : 1.0 or Active : 10、Reactive : 2.0
Clock Error	≤ 0.5sec/ per day (reference temperature) ; ≤ 1.0sec/ per day (the backup lithium battery working time).
Battery	Imported lithium battery voltage : 3.0 or 3.6V ; Capacitance > 1000mAh ; 1200bps~19200bps ; It has the program both inside and outside ; Update the date per 0.01 degree ; Two sets of battery keep the clock and relative date ; Setup the alarm data of the battery ; Loss and press blanking timing and electric consumption rate switches over time in the minimum interval for one minute.

● OUTER AND MOUNT DIMENSION



● 概述

DTSD3666、DSSD3666 型电子式三相多功能电能表是根据国家有关技术标准、规程和广大用户的实际要求，采用先进技术设计的新型多功能智能电能表，具有精度高、稳定性好、布局合理、工艺先进、实用性强、功能强大、操作方便等特点，可准确、快捷地对各类电参数进行测量计算。该表性能指标符合 GB/T 17215.321-2008《1 级和 2 级静止式交流有功电能表》、GB/T 17215.323-2008《2 级和 3 级静止式交流无功电能表》和 DL/T614-1997《多功能电能表》国家标准对多功能电能表的各项技术要求，其通信符合 DL/T645-1997《多功能表通讯规约》的要求。

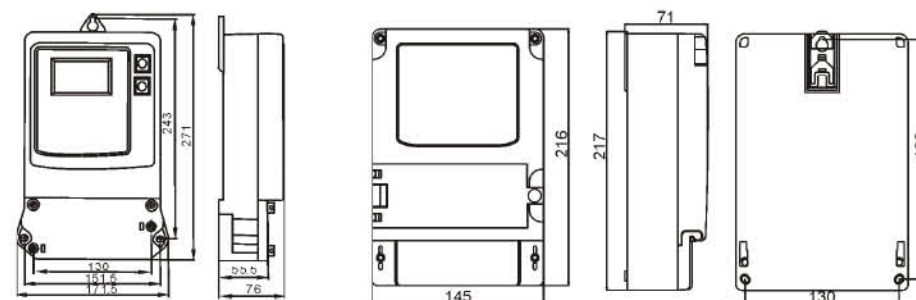
● 功能及特点

- 分时计量正向有功和反向有功、正向无功和反向无功，四象限无功电量及最大需量，最大需量发生时间；
- 4 种费率、4 个时段、10 个日时段；
- 失压、记录功能；
- 12 个月抄表数据；
- 有功、无功脉冲输出，脉冲宽度可用遥控器或 RS485 设置；
- 红外遥控器调出显示项；
- RS485 有线通讯与红外无线通讯，符合 DL/T645-1997 标准；
- 停电时可设定按键触发显示或循环显示；
- 事件记录（如总清、需清）；
- 通过 LCD 显示电表的运行状态，各种参数设置情况和各种计量数据；
- 可实时测量 A、B、C 三相的电压、电流、功率等有效值及当前频率；
- 具有失压、失流、编程、需量清零、广播校时等事件记录功能；
- 具有编程禁止功能、需量复位功能；
- 具有停电按键唤醒功能；

● 技术指标

额定电流 (A)	3 × 1.5 (6), 3 × 5 (20), 3 × 10 (40), 3 × 15 (60), 3 × 20 (80), 3 × 30 (100)
额定电压 (V)	三相三线 3 × 100V 或 3 × 380V 三相四线 3 × 220/380V 或 3 × 57.7/100V
额定频率 (Hz)	50 或 60
准确度等级	有功 0.5、无功 1.0 或有功 1.0、无功 2.0
时钟误差	≤ 0.5 秒/每天 (参比温度下) ; ≤ 1.0 秒 / 每天 (后备锂电池工作时)
电池	进口环保锂电池，电压：3.6V，容量 ≥ 1000mAh； 1200bps-9600bps (可设置)；内部、外部双看门狗； 每 0.01 度测算更新数据；电池保持时钟及相关数据；

● 外形安装及尺寸



● PRODUCT BRIEF INTRODUCTION

The DTSD, DSSD type three-phase electronic multi-function watt-hour meter is a new type of multi-function meter; it accords with the correlative standard, rules of the nation. It has the functions as high-accuracy, well stability, advanced technology and easy operation. The performance index of the meter accords with the technical requirements of nation standard, such as GB/T 17215.321-2008 Class 1 and 2 Static AC Active watt-hour Meter, GB/T 17215.322-2008 Class 0.2S and 0.5S Static AC Reactive watt-hour Meter, GB/T 17215.323-2008 Class 2 and 3 Static AC Reactive watt-hour Meter and DL/T614-1997 Multi-function Watt-hour Meter, the communication agreement accord with DL/T645-1997.

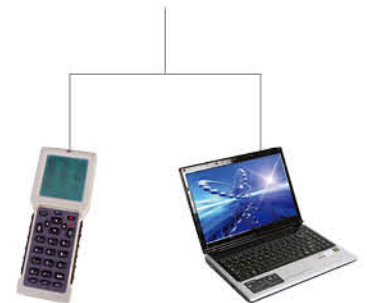
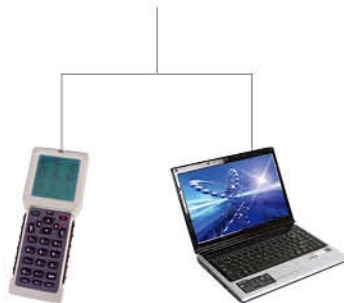
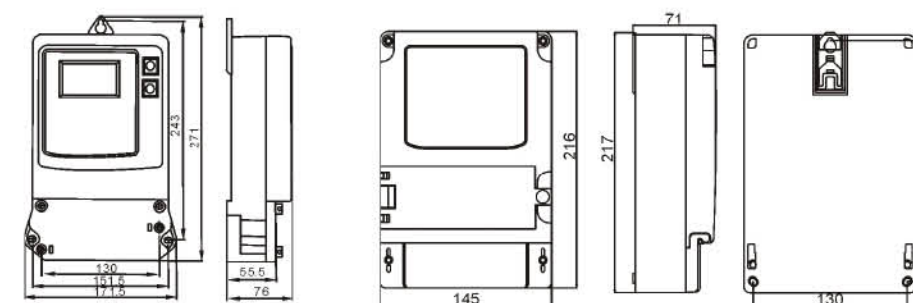
● FUNCTION FEATURES

- Measure forward direction, reverse direction and 4 quadrants reactive power and max demand, the time of max demand occurs
- Split phase power measuring;
- 4 rates, 4 time zones, 10 periods per day;
- Record undervoltage, undercurrent;
- Record data of 12 months;
- The active forward & reverse direction and the reactive 4 quadrants output via pulse.
- The output of active, reactive pulse and pulse width can be setup by controller or RS485;
- The infrared controller will display the items;
- The line are communication and the infrared wireless communication accords with DL/T 645 - 1997;
- It can be set with the meter key stroke-display or circular-display when power is off
- Recording events (such as clearances of accumulative power and demand power)
- Meter reading function at power off;
- Recording the load;
- It is easier of electric department centralized management;
- Alarming over load function;
- Transformer magnification can be setup;
- All the data and information can be displayed via LCD;
- Measuring the voltage, current, power of the each meter all the time;
- It has the recording features of undervoltage, undercurrent, power off/on, programming, adjusting the time and so on;
- It has the function of program prohibition and demand replacement;
- Power break awakening function;

● MAIN TECHNICAL DATA

Rated Current (A)	3 × 1.5 (6), 3 × 5 (20), 3 × 10 (40), 3 × 15 (60), 3 × 20 (80), 3 × 30 (100)
Rated Voltage (V)	Three-phase Three-wire 3 × 100V or 3 × 380V Three-phase Four-wire 3 × 220V/380V or 3 × 57.7/100V
Rated Frequency (Hz)	50 or 60
Accuracy Class	Active : 0.5、Reactive : 1.0 or Active : 1.0、Reactive : 2.0
Clock Error	≤ 0.5sec/ per day (reference temperature); ≤ 1.0sec/ per day (the backup lithium battery working time).
Battery	Imported lithium battery voltage : 3.0 or 3.6V; Capacitance > 1000mAh; 1200bps-9600bps; It has the program both inside and outside; Update the date per 0.01 degree; Two sets of battery keep the clock and relative date; Setup the alarm data of the battery; Loss and press blanking timing and electric consumption rate switches over time in the minimum interval for one minute.

● OUTER AND MOUNT DIMENSION



● 概述

○ DTSF3666、DSSF3666 型三相电子式多费率电能表是采用先进的电能计量专用芯片，与成熟的复费率技术相结合设计而成，应用数字采样处理技术及 SMT 工艺，根据居民实际用电状况所设计、制造，具有国际先进水平的电能仪表。电表内所有元件均选用长寿命、高可靠的电子元器件，因而具有寿命长、可靠性高的特点。该表型符合国家标准 GB/T 15284-2002《多费率(分时)电能表》和 GB/T17215.321-2008《1 级和 2 级静止式交流有功电能表》，通讯规约符合 DL645-1997《多功能表通讯规约》，产品符合电子式三相多费率表技术要求和通讯规约。

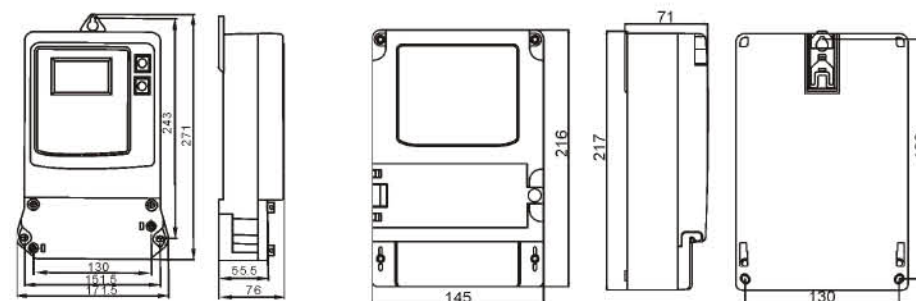
● 功能及特点

- 四种费率(尖、峰、平、谷)，十个时段，时段最小时间间隔 1 分钟；
- 存贮包括本月在内的 12 个月的各费率电能数据；
- 电气隔离采用先进的电能计量芯片、高性能 CPU 和 RTC 时钟芯片；
- 记录当前有功总电量及各费率电量，并保存数据；
- 高精度、高可靠、过载能力强，低功耗、重量轻；
- 自动累计记录电池工作时间；
- 轮显当前时间、费率、总电量及各费率电量；
- 通信规约符合 DL/T 645 - 1997；
- 具有脉冲输出，脉宽 80ms ± 20ms；
- 具有写数据时采用密码和编程开关两级保护，自动记录最后编程时间和次数；
- 可设置表号、局号、时段、费率、日期、时间、自动抄表日、密码、循环显示项及起始电量；
- 可通过点动表盖上轮显按钮查看用户选定的电量参数。

● 技术指标

额定电流 (A)	3 × 1.5 (6), 3 × 5 (20), 3 × 10 (40), 3 × 15 (60), 3 × 20 (80), 3 × 30 (100)
额定电压 (V)	三相四线 3x100VA 或 3x380V 三相四线 3x220/380V 或 3x57.7/100V
额定频率 (Hz)	50 或 60
准确度等级	1 级或 2 级
时钟误差	≤ 0.5 秒 / 每天 (参比温度下) ≤ 1.0 秒 / 每天 (后备锂电池工作时)
电池	进口环保锂电池，电压：3.0 或 3.6V，容量 ≥ 1000mAh

● 外形安装及尺寸



● PRODUCT BRIEF INTRODUCTION

○ The DTSF3666、DSSF3666 type three-phase electronic multi-rate watt-hour meter adopts the advanced special energy measuring chips and the multi-rate technology, using the data sampling and SMT technology. The product is designed and produced according to the practical situation of the residents. All the elements inside the meter have the feature of long-life, high-reliance. All the indexes of the meter accord with the standard of GB/T15284-2002 "Multi-rate (Time-sharing) Watt-hour Meter" and GB/T 17215.321-2008 "Class 1 and 2 Static AC Active Watt-hour Meter", the communication accord with DL645-2007 "Multi-function Watt-hour Meter communication Rule".

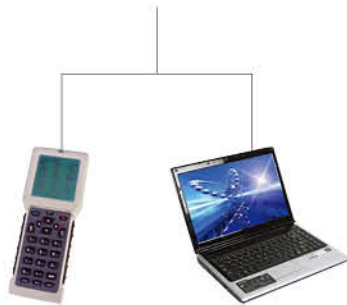
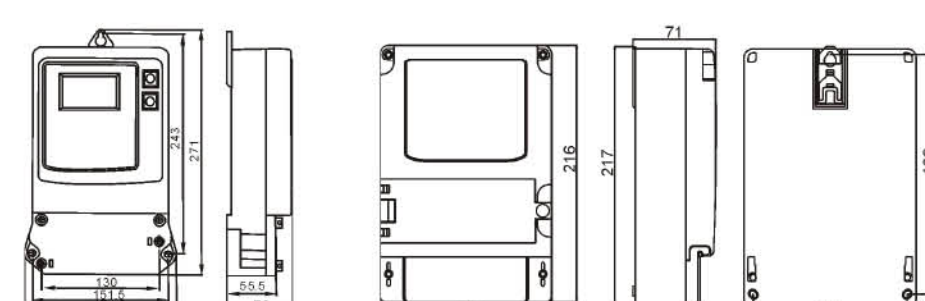
● FUNCTION FEATURES

- There are four different rates (point period, peak period, smooth period and trough period). 10 periods per day and the minimum time interval is five minutes;
- All the consumption data can be reserved for 12 months;
- The meter adopts the advanced energy measuring chips, high capability CPU and RTC clock chips;
- Recording the active electric quantity and the electric quantity at each rate, and reserve it;
- High accuracy, sensitivity and reliability, wide overload endurance, low power consumption and light weight;
- Auto accumulate and record the working time of the battery;
- Display the present time, rate, total electric power and electric power at each rate; Communicate agreement accords with DL/T645-1997;
- It has pulse output, pulse width: 80ms ± 20ms;
- It adopts the password and program switch protection, recording the latest program hours and times;
- It can setup the meter series number, power station number, time-period, rate, date, time, meter reading time, password and the initial electric power.

● MAIN TECHNICAL DATA

Rated current(A)	3 × 1.5 (6), 3 × 5 (20), 3 × 10 (40), 3 × 15 (60), 3 × 20 (80), 3 × 30 (100)
Rated voltage(V)	Three-phase Three-wire 3X100VA or 3X380V Three-phase Four-wire 3X220/380V or 3X57.7/100V
Rated frequency(Hz)	50 or 60
Accuracy Class	Class 1 or Class 2
Clock Error	≤ 0.5 sec/per day ≤ 1.0 sec/per day
Battery	Imported lithium battery: Voltage: 3.0V or 3.6V; Capacitance ≥ 1000mAh

● 外形安装及尺寸





● 概述

○ DTSY3666、DSSY3666 型三相电子式预付费电能表具有电能计量、负荷控制和用户信息管理等多种功能的新型 IC 卡式预付费电能表，该表是当前改革用电体制、实现电能商品化、解决收费难及调节电网负荷状态的理想产品。本系列电子式三相电能表接入方式有两种：直接接入式或经互感器接入式。该产品各项性能指标符合 GB/T17215.321-2008 《1 级和 2 级静止式交流有功电能表》和 GB/T18460.3-2001 标准中对电子式三相预付费电能表的全部技术要求。

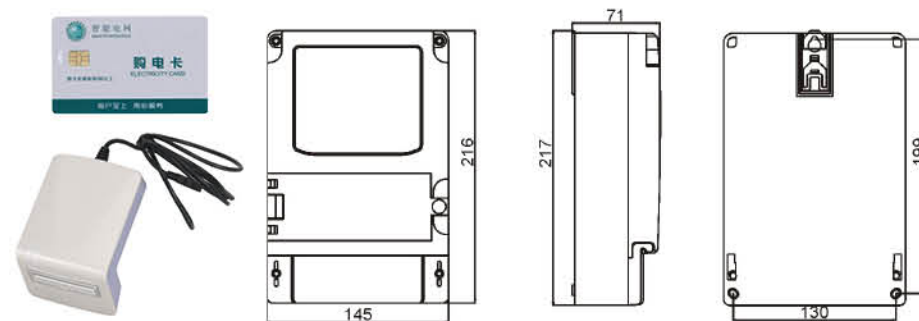
● 功能及特点

- 计量三相有功电能，长期工作不须调校；
- 三相电源供电，一线（三相三线电能表三线中任一线）或两线（三相四线电能表四线中任两线）断电，计量准确度不受影响；
- 具有电能测试信号输出；
- 一表（户）一卡，具有良好的防伪性；
- 剩余电量等于报警电量时，报警灯常亮，提醒用户及时购电；
- 剩余电量为 0 时跳闸断电；
- 超负荷自动断电，便于电力部门实施增容；
- 具有数据回写功能，便于电力部门管理；
- 配套的 IC 卡售电管理系统具有完备的售电管理和用电监察等功能。
- 可扩展 RS485。

● 技术指标

额定电流 (A)	3 × 1.5 (6), 3 × 5 (20), 3 × 10 (40), 3 × 15 (60), 3 × 20 (80), 3 × 30 (100)
额定电压 (V)	三相三线 3 × 100V 或 3 × 380V 三相四线 3 × 220/380V 或 3 × 57.7/100V
额定频率 (Hz)	50 或 60
准确度等级	1 级或 2 级

● 外形安装及尺寸



● PRODUCT BRIEF INTRODUCTION

○ DTSY3666, DSSY3666 Three-phase Electric Prepaid Watt-hour Meter is a new type of IC card prepaid meter, which has such functions as power metering, load control and customer information management. It's an ideal product to reform the power system, commercialize energy, solve energy charging problems and adjust the load state. This series electronic watt-hour energy meter has two ways of wiring: Direct wiring or wiring via current transformer. Every performance index of the product is in conformity with the technical requirements for single-phase electronic prepaid watt-hour energy meter stipulated in GB/T 17215.321-2008 Class 1 and 2 Static AC active watt-hour energy meter standards and GB/T18460-2001.

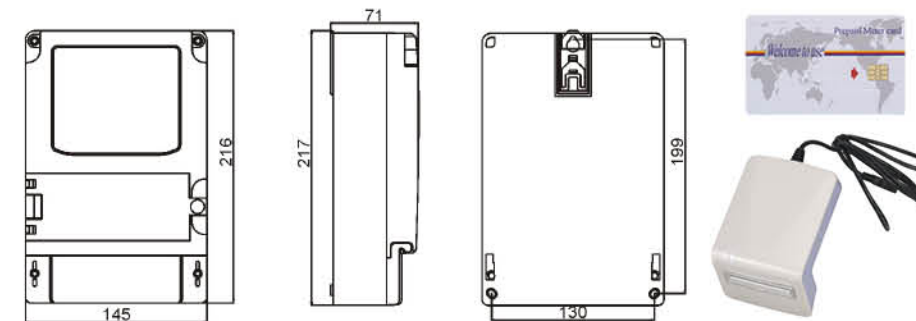
● FUNCTION FEATURES

- Measuring three-phase active energy, no need to recalibrate for long-term operation;
- Three-phase power supply can assure accurate metering in case of cut off in one line (either line of the three-phase three-wire energy meter) or two lines (either two lines of the three-phase four-wire energy meter);
- Output testing signal
- Each user (meter) responds to a card, well protected from forgery;
- Once the remaining power is approaching the alarming value, the LED will light to remind the user of timely purchasing;
- When the remaining energy is 0, the meter will switch off automatically.
- Power will be cut off automatically under overload for the convenience of capacity enlargement by the power Institution.
- Write-back function makes the power institution's management easier.
- The exclusive IC card power selling management system has completed function of energy selling and energy-using supervision.
- Extensible RS485.

● MAIN TECHNICAL DATA

Rated Current (A)	3 × 1.5 (6), 3 × 5 (20), 3 × 10 (40), 3 × 15 (60), 3 × 20 (80), 3 × 30 (100)
Rated Voltage (V)	Three-phase three-wire 3 × 100V or 3 × 380V Three-phase four-wire 3 × 220V/380V or 3 × 57.7/100V
Rated Frequency (Hz)	50 or 60
Accuracy Class	Class 1 or Class 2

● OUTER AND MOUNT DIMENSION







● 概述

○ DTS3666、DSS3666 型三相电子式电能表均采用最新微电子技术，用于计量额定频率为 50/60Hz 的三相交流有功电能，对于正反向用电同等计量。本系列电子式三相电度表接入方式有两种：直接接入式或经互感器接入式。该产品符合国家标准 GB/T 17215.321-2008《1 级和 2 级静止式交流有功电能表》标准中对电子式三相电能表的全部技术。

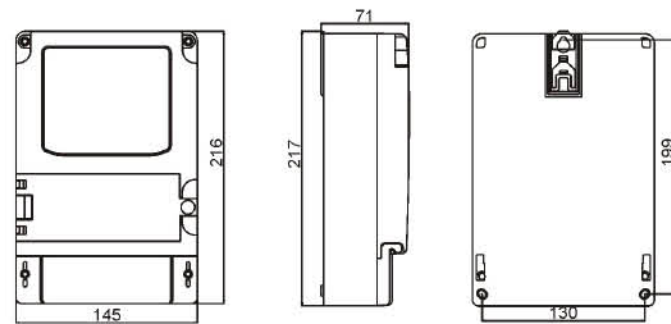
● 功能及特点

- 计量三相有功电能，长期工作不须调校；
- 三相电源供电，一线（三相三线电能表三线中任一）或两线（三相四线电能表四线中任一）断电，计量准确度不受影响；
- 宽工作温度范围；
- 具有断相指示功能或电压指示功能。
- 显示方式：计数器、液晶、数码管；
- 具有远程断电功能；
- 输出接口 RS485/NB/4G。

● 技术指标

额定电流 (A)	3 × 1.5 (6), 3 × 5(20), 3 × 10(40), 3 × 15(60), 3 × 20(80), 3 × 30(100)
额定电压 (V)	三相三线 3 × 100V/380V 或 3 × 380V 三相四线 3 × 220V/380V 或 3 × 57.7/100V
额定频率 (Hz)	50 或 60
准确度等级	1 级或 2 级

● 外形安装及尺寸



● PRODUCT BRIEF INTRODUCTION

○ The DTS3666、DSS3666 type electronic three-phase watt-hour meter adopts latest microelectronic technology to measure active electric energy of three-phase AC whole rated frequency is 50/60Hz, coordination meter age of positive and negative. This series meter has two modes of cut-over: cut-over directly and cut-over by mutual inductance electronics. The performance is in conformity with the technical requirements for three-phase Electronic Watt-hour Meter stipulated in GB/T17215.321-2008 Class 1 and 2 Static A.C Active Watt-hour Meter standard.

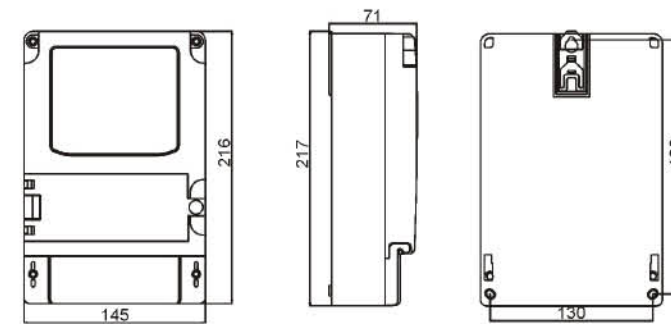
● FUNCTION FEATURES

- Measure three-phase active electric energy, do not need calibrate for long-term operation ;
- Three phase power supply ,measurement unaffected by loss of one phase ( any one wire of three-wire ) or two ( any two wire of four-wire )
- Wide service temperature range ;
- Assuming function of defect phase indication or voltage indication.
- Way of display: register、LCD、digital tube.
- Remote interruption of power supply function.
- Output interface RS485/NB/4G.

● MAIN TECHNICAL DATA

Rated Current ( A )	3 × 1.5 (6), 3 × 5(20), 3 × 10(40), 3 × 15(60), 3 × 20(80), 3 × 30(100)
Rated Voltage ( V )	Three-phase three-wire 3 × 100V/3 × 380V Three-phase four-wire 3 × 220V/380V or 3 × 57.7/100V
Rated Frequency(Hz)	50 or 60
Accuracy Class	Class 1 or Class 2

● OUTER AND MOUNT DIMENSION





● 概述

○ DTSU3666、DSSU3666 型三相电子式电能表均采用最新微电子技术，用于计量额定频率为 50/60Hz 的三相交流有功电能，对于正反向用电同等计量。本系列电子式三相电度表接入方式有两种：直接接入式或经互感器接入式。该产品符合国家标准 GB/T 17215.321-2008《1 级和 2 级静止式交流有功电能表》标准中对电子式三相电能表的全部技术。

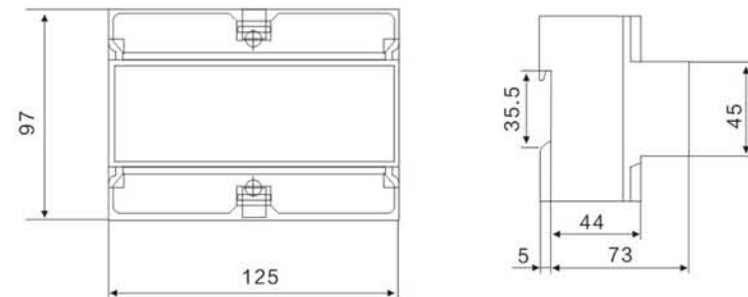
● 功能及特点

- 计量三相有功电能，长期工作不须调校；
- 三相电源供电，一线（三相三线电能表三线中任一线）或两线（三相四线电能表四线中任两线）断电，计量准确度不受影响；
- 宽工作温度范围；
- 具有断相指示功能或电压指示功能。
- 显示方式：计数器、液晶、数码管；
- 具有远程断电功能；
- 输出接口 RS485/NB/4G。

● 技术指标

额定电流 (A)	3 × 1.5 (6), 3 × 5 (20), 3 × 10 (40), 3 × 15 (60), 3 × 20 (80), 3 × 30 (100)
额定电压 (V)	三相三线 3 × 100V 或 3 × 380V 三相四线 3 × 220/380V 或 3 × 57.7/100V
额定频率 (Hz)	50 或 60
准确度等级	1 级或 2 级

● 外形安装及尺寸



● PRODUCT BRIEF INTRODUCTION

○ The DTSU3666、DSSU3666 type electronic three-phase watt-hour meter adopts the latest microelectronic technology to measure active three phase AC electric energy. with rated frequency 50/60Hz, measuring power of in both forward and reverse directions. This series of digit meter has two modes of cut-over: cut-over directly and cut-over by mutual inductance electronics. The performance is in conformity with the technical requirements for three-phase Electronic Watt-hour Meter stipulated in GB/T17215.321-2008 Class 1 and 2 Static AC Active Watt-hour Meter standard.

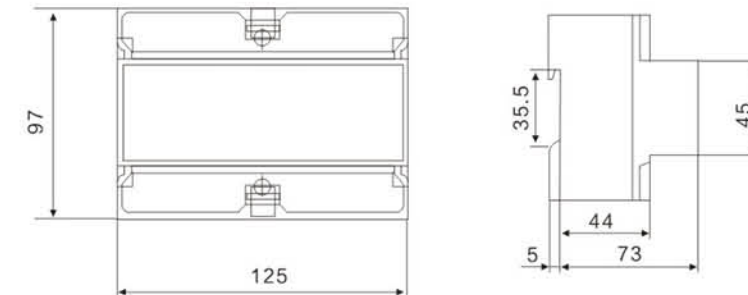
● FUNCTION FEATURES

- Measure three-phase active electric energy, no adjustment is needed for long-term operation;
- Three phase power supply, unaffected measurement with the loss of one wire ( any one wire of three-wire ) or two wires (any two wires of four-wire).
- Wide service temperature range;
- Assuming function of defect phase indication or voltage indication.
- Way of display: register、LCD、digital tube.
- Remote interruption of power supply function.
- Output interface RS485/NB/4G.

● MAIN TECHNICAL DATA

Rated Current ( A )	3 × 1.5(6), 3 × 5(20), 3 × 10(40), 3 × 15(60), 3 × 20(80), 3 × 30(100)
Rated Voltage ( V )	Three-phase three-wire 3 × 100V or 3 × 380V Three-phase four-wire 3 × 220V/380V or 3 × 57.7/100V
Rated Frequency(Hz)	50 or 60
Accuracy Class	Class 1 or Class 2

● OUTER AND MOUNT DIMENSION





● 概述

○ DTSY3666、DSSY3666 型三相电子式预付费电能表具有电能计量、负荷控制和用户信息管理等多种功能的新型 IC 卡式预付费电能表，该表是当前改革用电体制、实现电能商品化、解决收费难及调节电网负荷状态的理想产品。本系列电子式三相电能表接入方式有两种：直接接入式或经互感器接入式。该产品各项性能指标符合 GB/T17215.321-2008 《1 级和 2 级静止式交流有功电度表》和 GB /T18460.3-2001 标准中对电子式三相预付费电能表的全部技术要求。

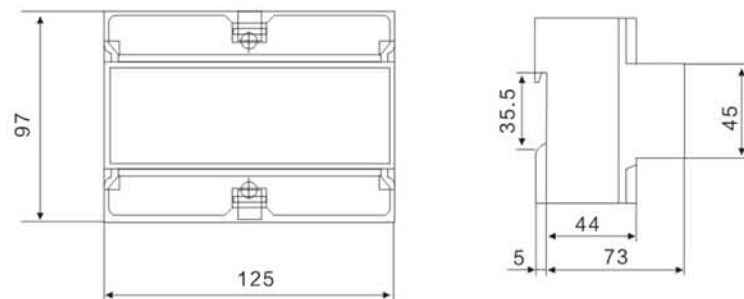
● 功能及特点

- 计量三相有功电能，长期工作不须调校；
- 三相电源供电，一线（三相三线电能表三线中任一）或两线（三相四线电能表四线中任一）断电，计量准确度不受影响；
- 具有电能测试信号输出；
- 一表（户）一卡，具有良好的防伪性；
- 剩余电量等于报警电量时，报警灯常亮，提醒用户及时购电；
- 剩余电量为 0 时跳闸断电；
- 超负荷自动断电，便于电力部门实施增容；
- 具有数据回写功能，便于电力部门管理；
- 配套的 IC 卡售电管理系统具有完备的售电管理和用电监察等功能。
- 可扩展 RS485。

● 技术指标

额定电流 (A)	3 × 1.5 (6), 3 × 5 (20), 3 × 10 (40), 3 × 15 (60), 3 × 20 (80), 3 × 30 (100)
额定电压 (V)	三相三线 3 × 100V 或 3 × 380V 三相四线 3 × 220/380V 或 3 × 57.7/100V
额定频率 (Hz)	50 或 60
准确度等级	1 级或 2 级

● 外形安装及尺寸



● PRODUCT BRIEF INTRODUCTION

○ DTSY3666, DSSY3666 Three-phase Electric Prepaid Watt-hour Meter is a new type of IC card prepaid meter, which has such functions as power metering, load control and customer information management. It's an ideal product to reform the power system, commercialize energy, solve energy charging problems and adjust the load state. This series electronic watt-hour energy meter has two ways of wiring: Direct wiring or wiring via current transformer. Every performance index of the product is in conformity with the technical requirements for single-phase electronic prepaid watt-hour energy meter stipulated in GB/T 17215.321-2008 Class 1 and 2 Static AC active watt-hour energy meter standards and GB/T18460-2001.

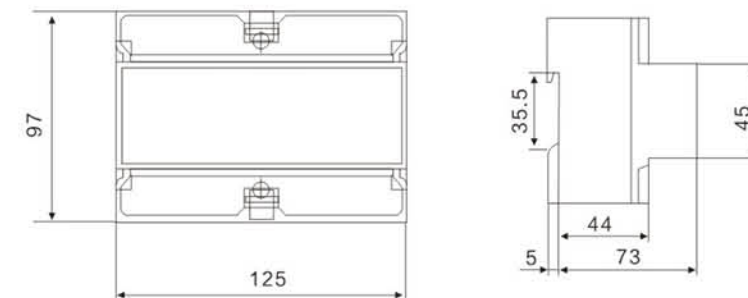
● FUNCTION FEATURES

- Measuring three-phase active energy, no need to recalibrate for long-term operation;
- Three-phase power supply can assure accurate metering in case of cut off in one line (either line of the three-phase three-wire energy meter) or two lines (either two lines of the three-phase four-wire energy meter);
- Output testing signal
- Each user (meter) responds to a card, well protected from forgery;
- Once the remaining power is approaching the alarming value, the LED will light to remind the user of timely purchasing;
- When the remaining energy is 0, the meter will switch off automatically.
- Power will be cut off automatically under overload for the convenience of capacity enlargement by the power Institution.
- Write-back function makes the power institution's management easier.
- The exclusive IC card power selling management system has completed function of energy selling and energy-using supervision.
- Extensible RS485.

● MAIN TECHNICAL DATA

Rated Current (A)	3 × 1.5 (6), 3 × 5 (20), 3 × 10 (40), 3 × 15 (60), 3 × 20 (80), 3 × 30 (100)
Rated Voltage (V)	Three-phase three-wire 3 × 100V or 3 × 380V Three-phase four-wire 3 × 220V/380V or 3 × 57.7/100V
Rated Frequency (Hz)	50 or 60
Accuracy Class	Class 1 or Class 2

● OUTER AND MOUNT DIMENSION





● 概述

○ DDSU3666 型单相电子式电能表采用专用大规模集成电路, 具有外围元件少、结构简单、可靠性高、功耗低、寿命长等特点, 可用于计量额定频率为 50Hz 的单相交流有功电能。该产品各项性能指标符合 GB/T 17215.321-2008《1 级和 2 级静止式交流有功电度表》标准中对单相电子式电能表的全部技术要求。

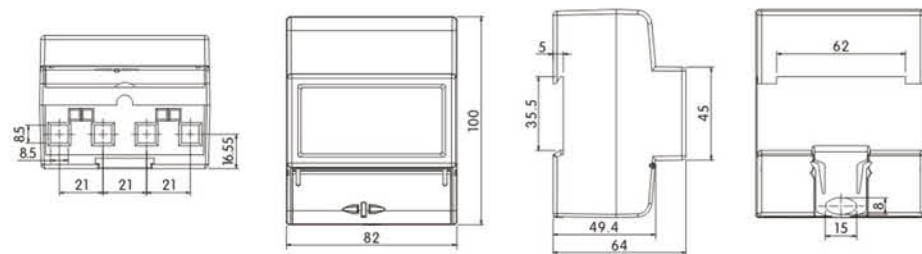
● 功能及特点

- 有功电能计量, 长期工作不须调校;
- 采用 ADE7755 专用计量芯片;
- 采用内含数字乘法器的国外最新电能专用集成电路, 大大提高了仪表的动态工作范围, 使实际过载能力达 10 倍以上;
- 在 5%I<sub>b</sub>-I<sub>max</sub> 范围内有良好的误差线性;
- 外围元件少、功耗低、电表结构简单;
- 电表内所有元件均选用长寿命、高可靠的电子器件, 因而具有寿命长、可靠性高的特点。
- 显示方式: 计数器、液晶、数码管;
- 具有远程断电功能;
- 输出接口 RS485/NB/4G。

● 技术指标

额定电流 (A)	1.5 (6), 2.5(10), 5(20), 5(30), 10(40), 10(60), 15(60), 20(80), 30(100)
额定电压 (V)	220 或 240
额定频率 (Hz)	50 或 60
准确度等级	1 级或 2 级

● 外形安装及尺寸



● PRODUCT BRIEF INTRODUCTION

○ The DDSU3666 type electronic single-phase watt-hour meter adopts specialized LSI, the device typifying new periphery component, simple structure, high reliability, low power consumption, long life etc, is suitable for the single-phase AC active electric energy with rated frequency of 50Hz. The performance is in conformity with the technical requirements for single-phase Electronic Watt-hour Meter stipulated in GB/T 17215.321-2008 Class 1 and 2 Static AC Active Watt-hour Meter standard.

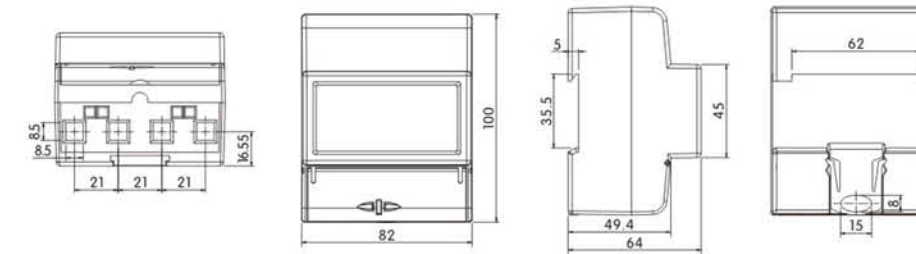
● FUNCTION FEATURES

- Measure active electric energy, no adjustment needed for long-term operation;
- Adopt the special chip of measurement ADE7755;
- Adopt the latest imported electric energy special integration circuit, greatly improved dynamic working range of Meter; to make the ability of actual overload up to over 10 times.
- Have good mistake linearity in the range of 5% I<sub>b</sub>-I<sub>max</sub>;
- Few periphery components, simple structure, low power consumption;
- Adopt high reliability and long life electronic components, so the meter assumes feature of high reliability and long life.

● MAIN TECHNICAL DATA

Rated Current (A)	1.5 (6), 2.5(10), 5(20), 5(30), 10(40), 10(60), 15(60), 20(80), 30(100)
Rated Voltage (V)	220 or 240
Rated Frequency(Hz)	50 or 60
Accuracy Class	Class 1 or Class 2

● OUTER AND MOUNT DIMENSION





● 概述

DDSY3666 型单相电子式预付费电能表是我公司在性能优良的电子式单相电能表的基础上，研制开发的具有电能计量、负荷控制和用户信息管理等多种功能的新型 IC 卡式预付费电能表，该表是当前改革用电体制、实现电能商品化、解决收费难及调节电网负荷状态的理想产品。该产品的各项性能指标符合 GB/T17215.321-2008《1 级和 2 级静止式交流有功电能表》和 GB/T18460-2001 标准中对电子式单相预付费电能表的全部技术要求。

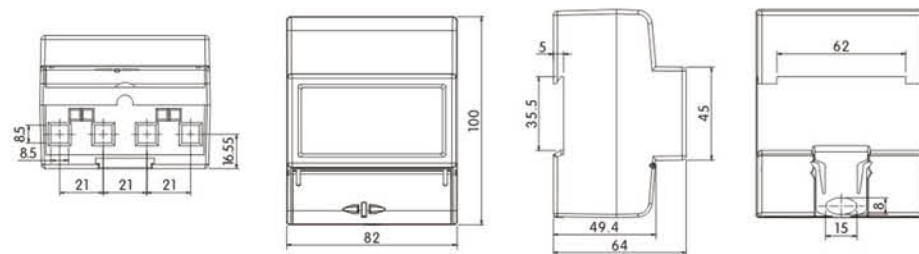
● 功能及特点

- 有功电能计量，长期工作不须调校；
- 一表（户）一卡，具有良好的防伪性；
- 剩余电量等于报警电量时，报警灯常亮，提醒用户及时购电；
- 剩余电量为 0 时跳闸断电；
- 防窃电，自动记录非法用电信息；
- 超负荷自动断电，便于电力部门实施增容；
- 大容量磁保持继电器，低功耗、高可靠；
- 具有数据回写功能，便于电力部门管理；
- 电表内所有元件均选用长寿命、高可靠的电子元器件，因而具有寿命长、可靠性高的特点；
- 配套的 IC 卡售电管理系统具有完备的售电管理和用电监察等功能。
- 可扩展 RS485。

● 技术指标

额定电流 (A)	5(20),5(30),10(40),10(60),15(60)
额定电压 (V)	220 或 240
额定频率 (Hz)	50 或 60
准确度等级	1 级或 2 级

● 外形安装及尺寸



● PRODUCT BRIEF INTRODUCTION

The DDSY3666 type single-phase electronic pre-paid watt-hour meter is developed on the base of excellent single-phase electronic watt-hour meter. It is a new type of IC card pre-paid meter, which has such functions as power metering, load control and customer information management. It is an ideal product when reforming electric-use system, achieving electrical energy to commercialize, setting charge and adjusting load stage in the electric network. All the indexes comply with the technological specifications designed for the single-phase electronic pre-paid watt-hour meter in the standard of GB/T 17215.321-2008 Class 1 and 2 Static AC Active Watt-hour Meter and GB / T 18460-2001.

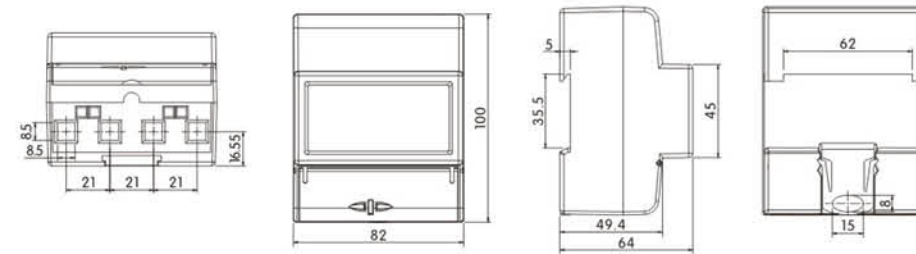
● FUNCTION FEATURES

- Active single-phase electric power metering, no subject to adjust in terms of long working; one card for only one user, well protected from forgery;
- Once the remaining electric power quality is approaching the alarming power quality, the digital tube should be lighted to remind user of timely purchasing;
- Once the electric consumption available is out, it should be auto cut-off;
- Protect from power theft, and record the information auto;
- Auto cut-off for overload;
- Date-copying function makes the electricity department easier to manage;
- The meter has the feature of long-using-life, high-reliability;
- The IC card power selling control system has sound functions of power selling and power using supervision;
- Expansive Rs485.

● MAIN TECHNICAL DATA

Rated Current ( A )	5(20),5(30),10(40),10(60),15(60)
Rated Voltage ( V )	220 or 240
Rated Frequency ( Hz )	50 or 60
Accuracy Class	Class 1 or Class 2

● OUTER AND MOUNT DIMENSION





● 概述

○ DDSU3666 型单相电子式电能表采用专用大规模集成电路, 具有外围元件少、结构简单、可靠性高、功耗低、寿命长等特点, 可用于计量额定频率为 50Hz 的单相交流有功电能。该产品各项性能指标符合 GB/T17215.321-2008《1 级和 2 级静止式交流有功电度表》标准中对单相电子式电能表的全部技术要求。

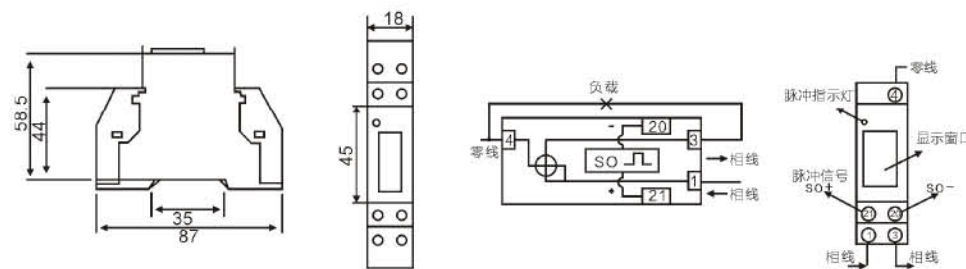
● 功能及特点

- 有功电能计量, 长期工作不须调校;
- 采用 ADE7755 专用计量芯片;
- 采用内含数字乘法器的国外最新电能专用集成电路, 大大提高了仪表的动态工作范围, 使实际过载能力达 10 倍以上;
- 在 5%I<sub>b</sub>-I<sub>max</sub> 范围内有良好的误差线性;
- 外围元件少、功耗低、电表结构简单;
- 电表内所有元件均选用长寿命、高可靠的电子电器件, 因而具有寿命长、可靠性高的特点。
- 显示方式: 计数器、液晶、数码管;
- 具有远程断电功能;
- 输出接口 RS485。

● 技术指标

额定电流 (A)	5(32)A
额定电压 (V)	220 或 240
额定频率 (Hz)	50 或 60
准确度等级	1 级或 2 级

● 外形安装及尺寸



● PRODUCT BRIEF INTRODUCTION

○ The DDSU3666 type electronic single-phase watt-hour meter adopts specialized LSI, the device typifying new periphery component, simple structure, high reliability, low power consumption, long life etc, is suitable for the single-phase AC active electric energy with rated frequency of 50Hz The performance is in conformity with the technical requirements for single-phase Electronic Watt-hour Meter stipulated in GB/T 17215.321-2008 Class 1 and 2 Static AC Active Watt-hour Meter standard

● FUNCTION FEATURES

- Measure active electric energy ,no adjustment needed for long-term operation ;
- Adopt the special chip of measurement ADE7755 ;
- Adopt the latest imported electric energy special integration circuit , greatly improved dynamic working range of Meter ; to make the ability of actual overload up to over 10 times.
- Have good mistake linearity in the range of 5% I<sub>b</sub>-I<sub>max</sub> ;
- Few periphery components , simple structure , low power consumption ;
- Adopt high reliability and long life electronic components , so the meter assumes feature of high reliability and long life.

● MAIN TECHNICAL DATA

Rated Current ( A )	5(65)A
Rated Voltage ( V )	220 or 240
Rated Frequency(Hz)	50 or 60
Accuracy Class	Class 1 or Class 2

● OUTER AND MOUNT DIMENSION

